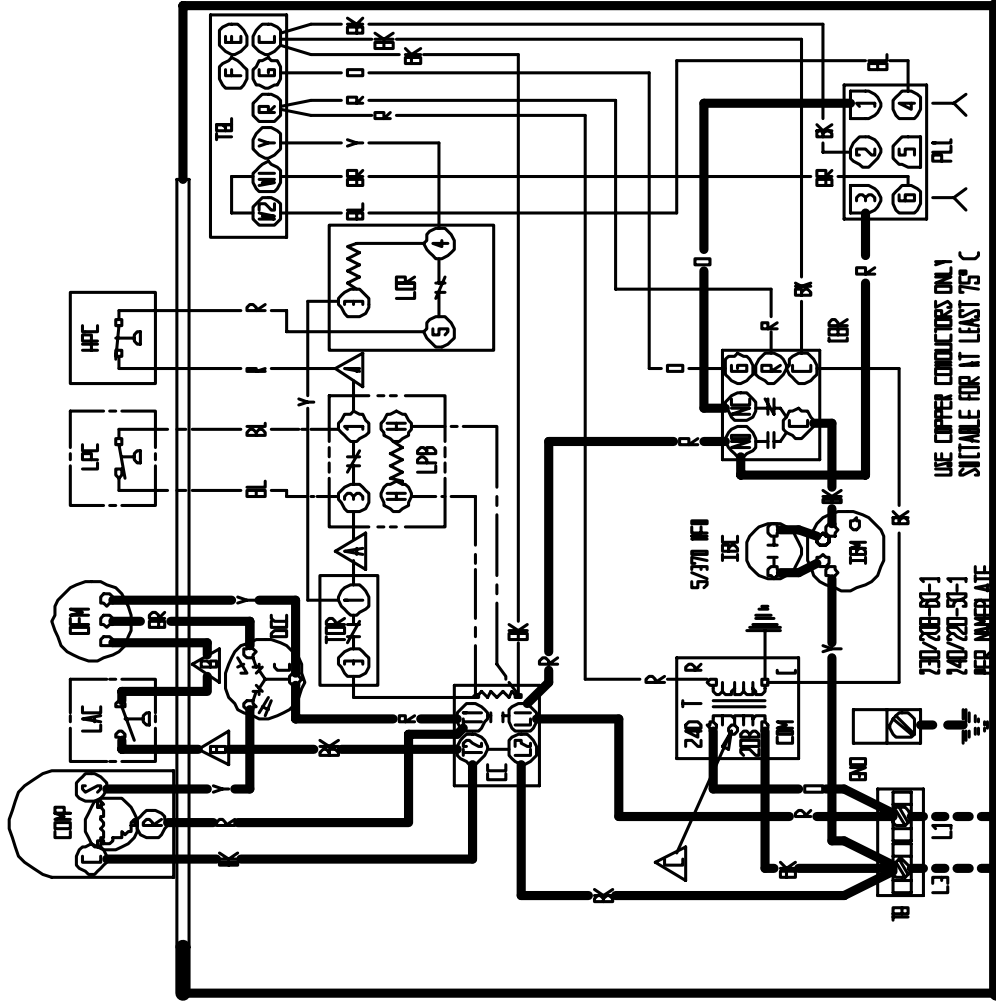
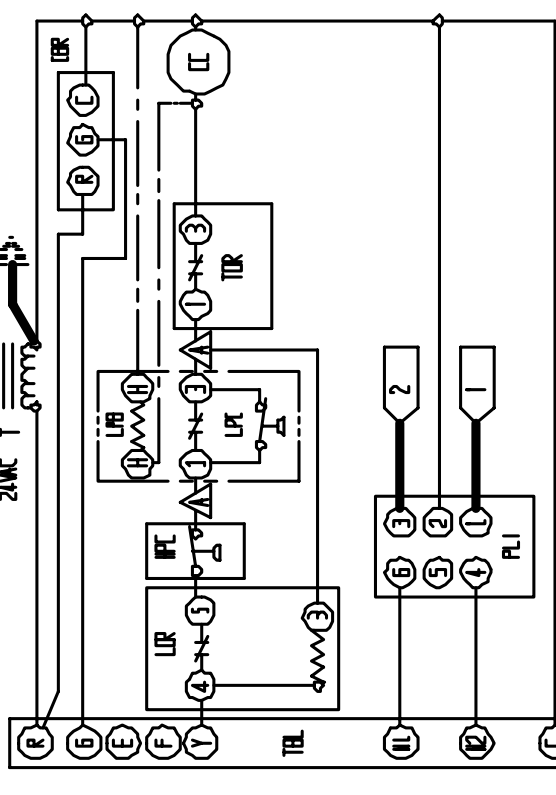


230/208-00-1
240/220-50-1
PER NAMEPLATE



USE COPPER CONDUCTORS ONLY
SUITABLE FOR AT LEAST 75° C

230/208-00-1
240/220-50-1
PER NAMEPLATE

CAPACITOR	PART NO.	MODEL
45/5 370	B52-B2	P132A2
30/5 370	B52-B3	P132A2

CONDENSER CODE	LOW PRESSURE CONTROL
CC	COMPRESSOR CONTROL
COMP	COMPRESSOR
CC1	INDICATOR CAPACITOR
GN	EQUIPMENT GROUND
HFC	HIGH PRESSURE CONTROL
IR	INDICATOR RELAY
IRB	INDICATOR RELAY
LAC	LINE VOLTAGE CONTROL
LR	LINE VOLTAGE RELAY
LRB	LINE VOLTAGE RELAY

CONDENSER CODE	LOW PRESSURE CONTROL
IRP	INDICATOR RELAY
IRQ	INDICATOR RELAY
PL1	PLUG IN TRANSFORMER
T	TERMINAL BLOCK
TL	LINE VOLTAGE TERMINAL BLOCK
TR	TIME RELAY
TC	TOP OF THERMOSTAT

△ LABELLED WIRING CONNECT IF NO OPTIONS USED. △ WIRE RANGE CODE TO Z06V (A) FOR Z06V OPERATION

COLOR CODE		TAN	
BLACK	Y	VIOLET	T
BROWN	G	PURPLE	PK
RED	BL	BROWN	L
ORANGE	V	SLATE	
		GREEN	
		BLUE	
		WHITE	
		WHITE (S)	
		PINK	
		LAVENDER	

FACTORY STD.	FIELD	OPTIONAL
_____	_____	_____
_____	_____	_____
_____	_____	_____
_____	_____	_____

CONDENSER CODE	LOW PRESSURE CONTROL
CC	COMPRESSOR CONTROL
COMP	COMPRESSOR
CC1	INDICATOR CAPACITOR
GN	EQUIPMENT GROUND
HFC	HIGH PRESSURE CONTROL
IR	INDICATOR RELAY
IRB	INDICATOR RELAY
LAC	LINE VOLTAGE CONTROL
LR	LINE VOLTAGE RELAY
LRB	LINE VOLTAGE RELAY

CONDENSER CODE	LOW PRESSURE CONTROL
IRP	INDICATOR RELAY
IRQ	INDICATOR RELAY
PL1	PLUG IN TRANSFORMER
T	TERMINAL BLOCK
TL	LINE VOLTAGE TERMINAL BLOCK
TR	TIME RELAY
TC	TOP OF THERMOSTAT

BLAND MFG. CO.
4063-130 A