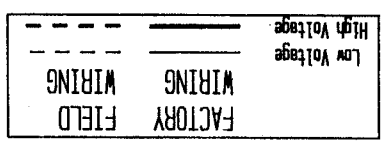
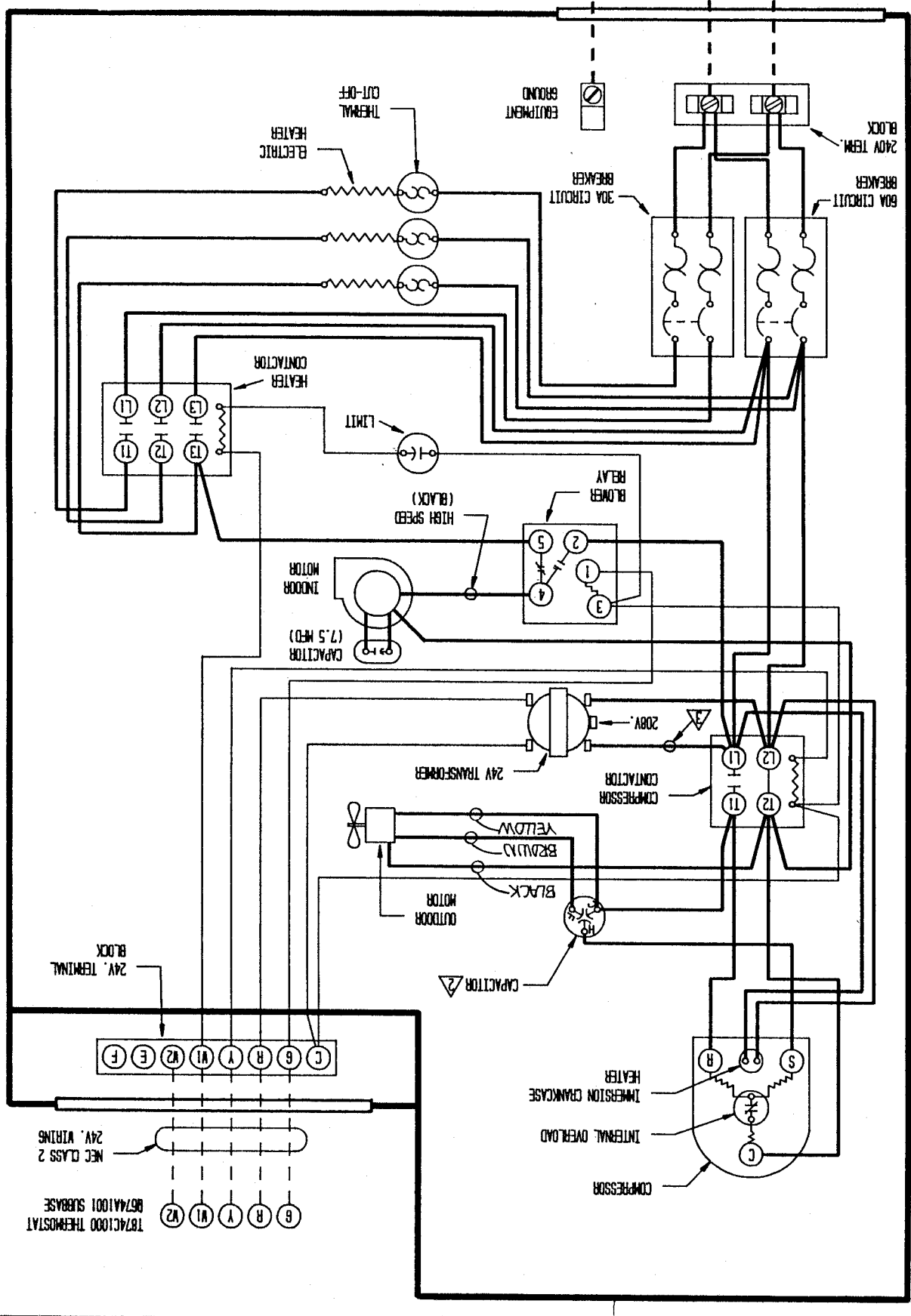


USE COPPER OR ALUMINUM WIRE



△ FOR 208V. OPERATION MOVE THIS WIRE TO 208V. TRANSFORMER TAP.
 △ MAC30 : 35/5 - 370
 MAC36 : 35/5 - 440



1874C100 THERMOSTAT
 874A1001 SUBBASE
 NEC CLASS 2
 24V. WIRING

24V. TERMINAL BLOCK

COMPRESSOR
 INTERNAL OVERLOAD
 IMMERSION CRANKCASE
 HEATER

△ CAPACITOR

7.5 MFD CAPACITOR

1000R MOTOR

HIGH SPEED (BLACK)
 BLOWER RELAY

HEATER CONTACTOR

LIMIT

ELECTRIC HEATER
 THERMAL CUT-OFF

EQUIPMENT GROUND
 240V. TERMINAL BLOCK

30A CIRCUIT BREAKER
 30A CIRCUIT BREAKER

230/208-60-1