

CONTROL KIT TO BASIC UNIT CONNECTION DIAGRAM

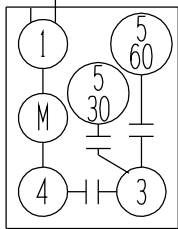
- FACTORY WIRE TO BE REMOVED
- - - - - FACTORY WIRE TO BE RECONNECTED
- _____ FACTORY WIRING
- _____ FIELD WIRING CONNECTION

- THIS OPTIONAL CONTROL ACCESSORY HAS BEEN ADDED TO THIS UNIT -

- IF ECONOMIZER IS INSTALLED, CONTROL KIT IS LOCATED BEHIND COMPRESSOR PARTITION IN THE RETURN AIR OPENING -

HEAT PUMP MODELS

REMOVE FROM #1 DEF. TIMER AND RECONNECT TO FASTON QUICK CONNECT

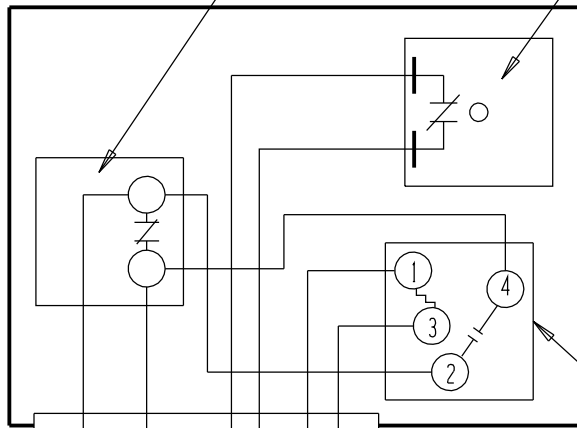


DEFROST TIMER

FASTON QUICK CONNECT

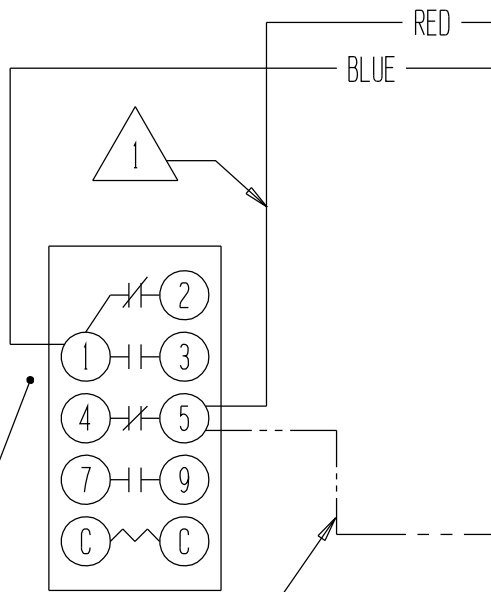
LOW AMBIENT CONTROL

TIME DELAY RELAY



CONTROL KIT

FAN RELAY

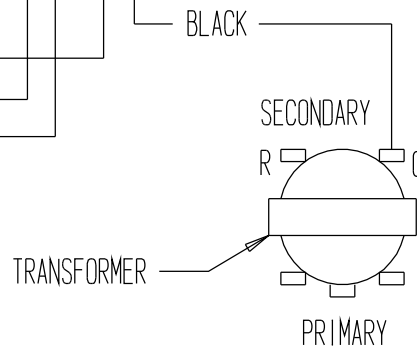


DEFROST RELAY

ADD MULTIPLIER

FAN CAPACITOR

REMOVE THIS WIRE



TRANSFORMER

SECONDARY

PRIMARY

ADD MULTIPLIER

FAN MOTOR

BLACK FAN COMMON

1 THIS WIRE ATTACHES TO TERMINAL #2 OF THE 460V DEFROST RELAY ON 460 - 60 - 3