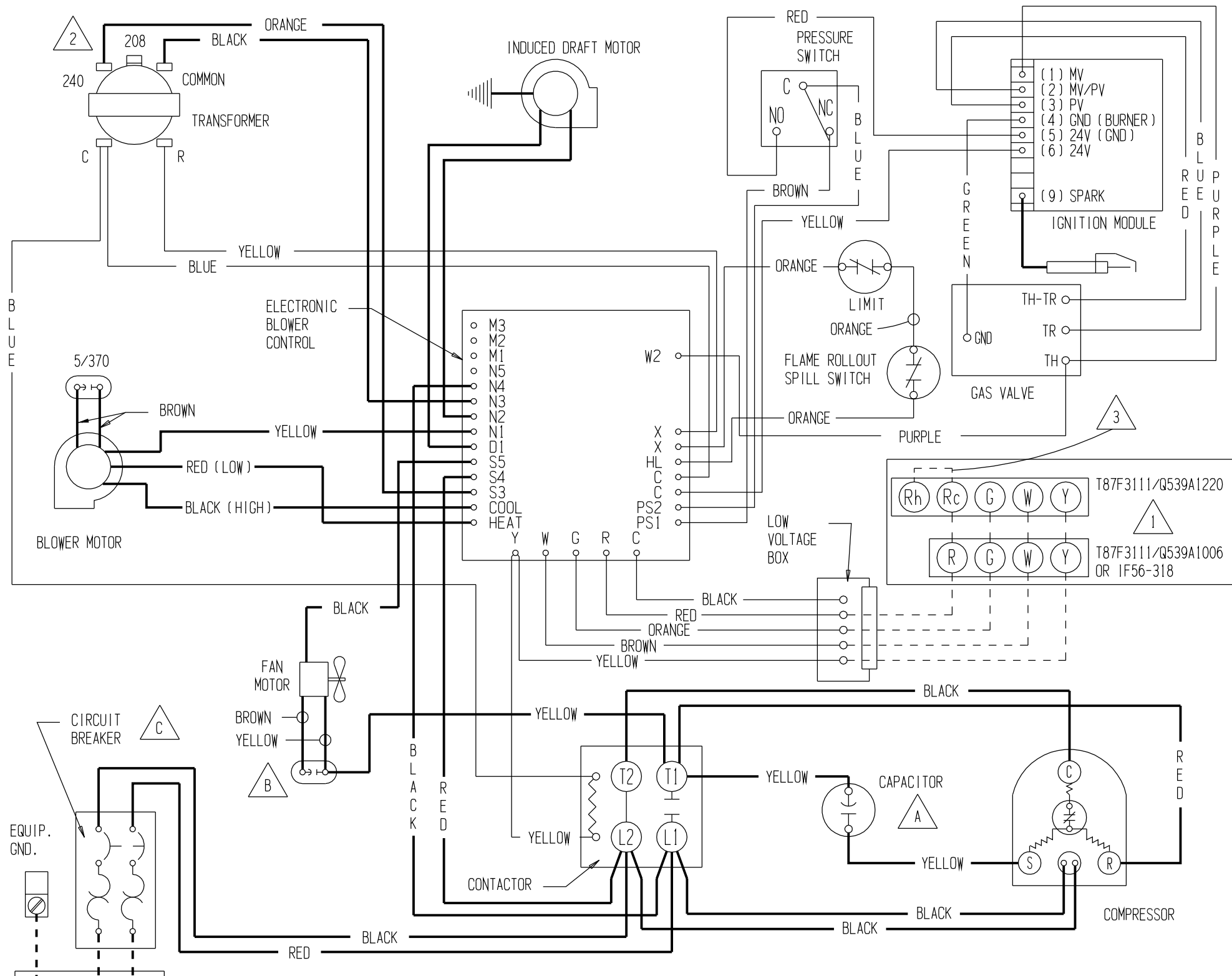
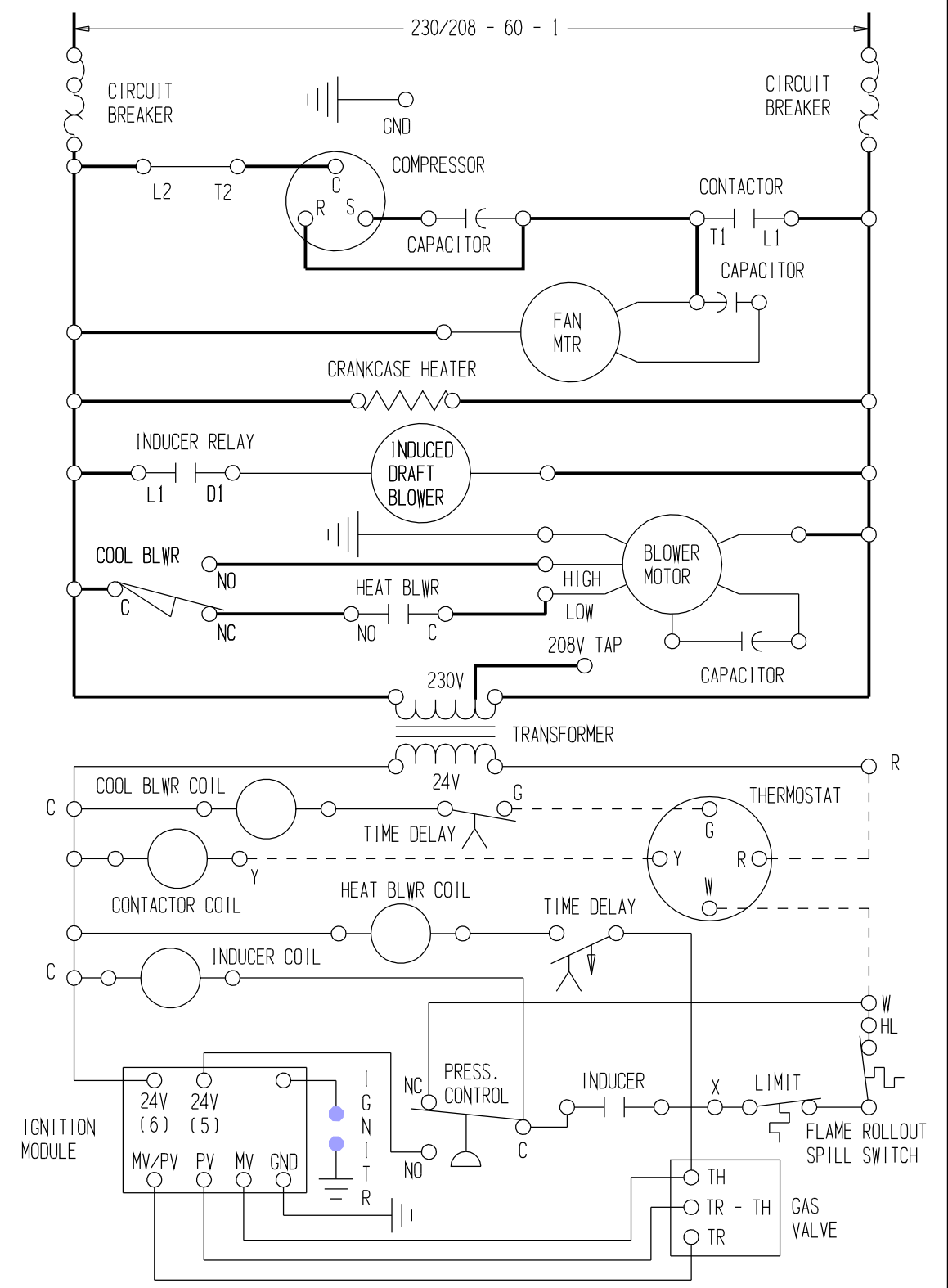


CONNECTION DIAGRAM

DANGER: ELECTRICAL SHOCK HAZARD,
DISCONNECT POWER BEFORE SERVICING



LADDER DIAGRAM



USE COPPER OR ALUMINUM WIRE

1 SET HEAT ANTICIPATOR AT .6 A

2 FOR 208V OPERATION MOVE THIS WIRE TO 208V TRANSFORMER TAP

MODEL	A RUN CAPACITOR	B FAN CAPACITOR	C CIRCUIT BREAKER
WAG30A-A54C	35/370	5/370	35A
WAG36A-A54C	40/370	10/370	40A
WAG40A-A54C	40/440	10/370	50A

3 ADD JUMPER R_c - R_h

	FACTORY WIRING	FIELD WIRING
Low Voltage	—	---
High Voltage	—	---

IF ANY OF THE ORIGINAL WIRE AS SUPPLIED WITH THE APPLIANCE MUST BE REPLACED, IT MUST BE REPLACED WITH WIRING MATERIAL HAVING A TEMPERATURE RATING OF AT LEAST 105° C. EXCEPT THE IGNITION CABLE WHICH IS 250° C. HIGH VOLTAGE CABLE.