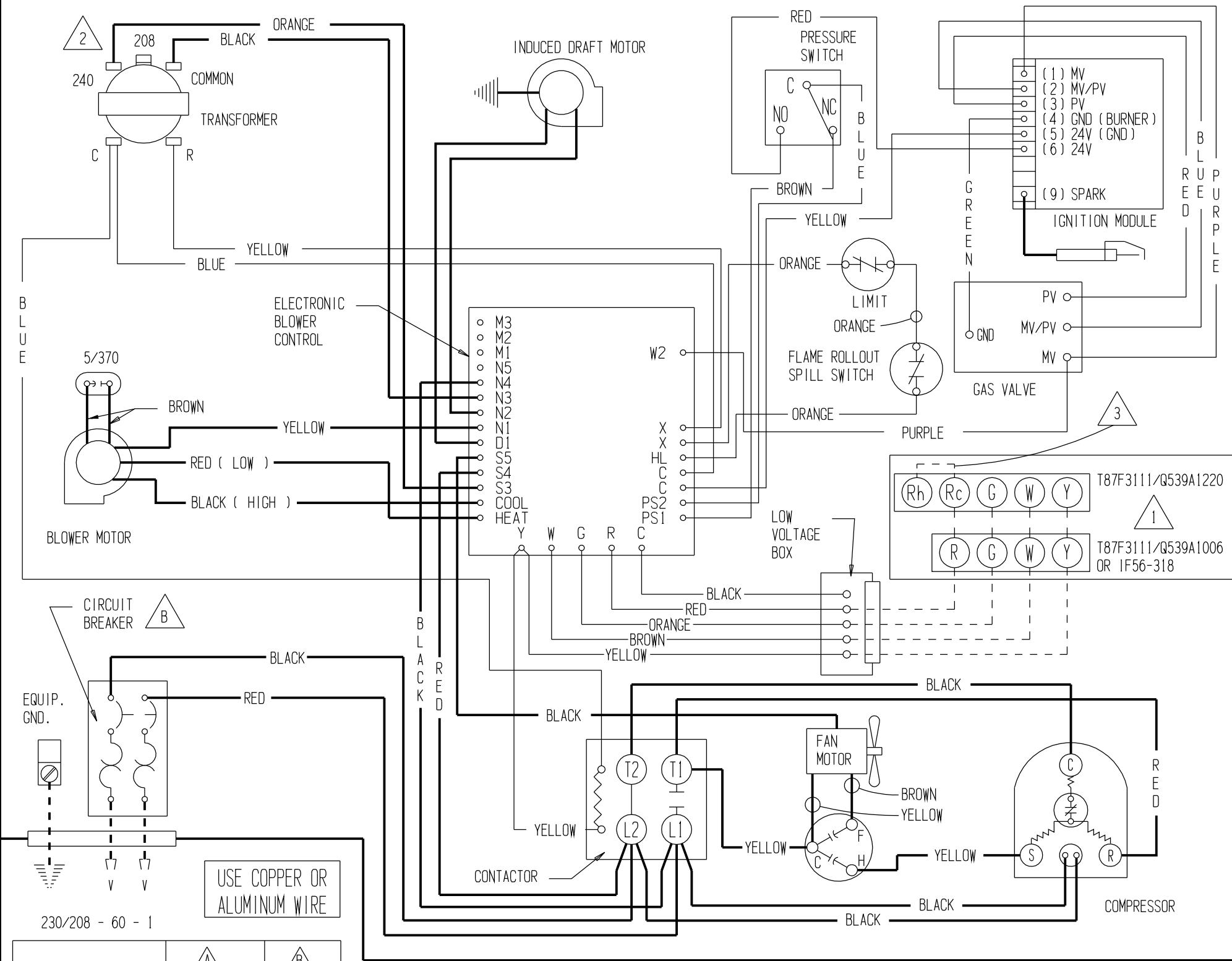
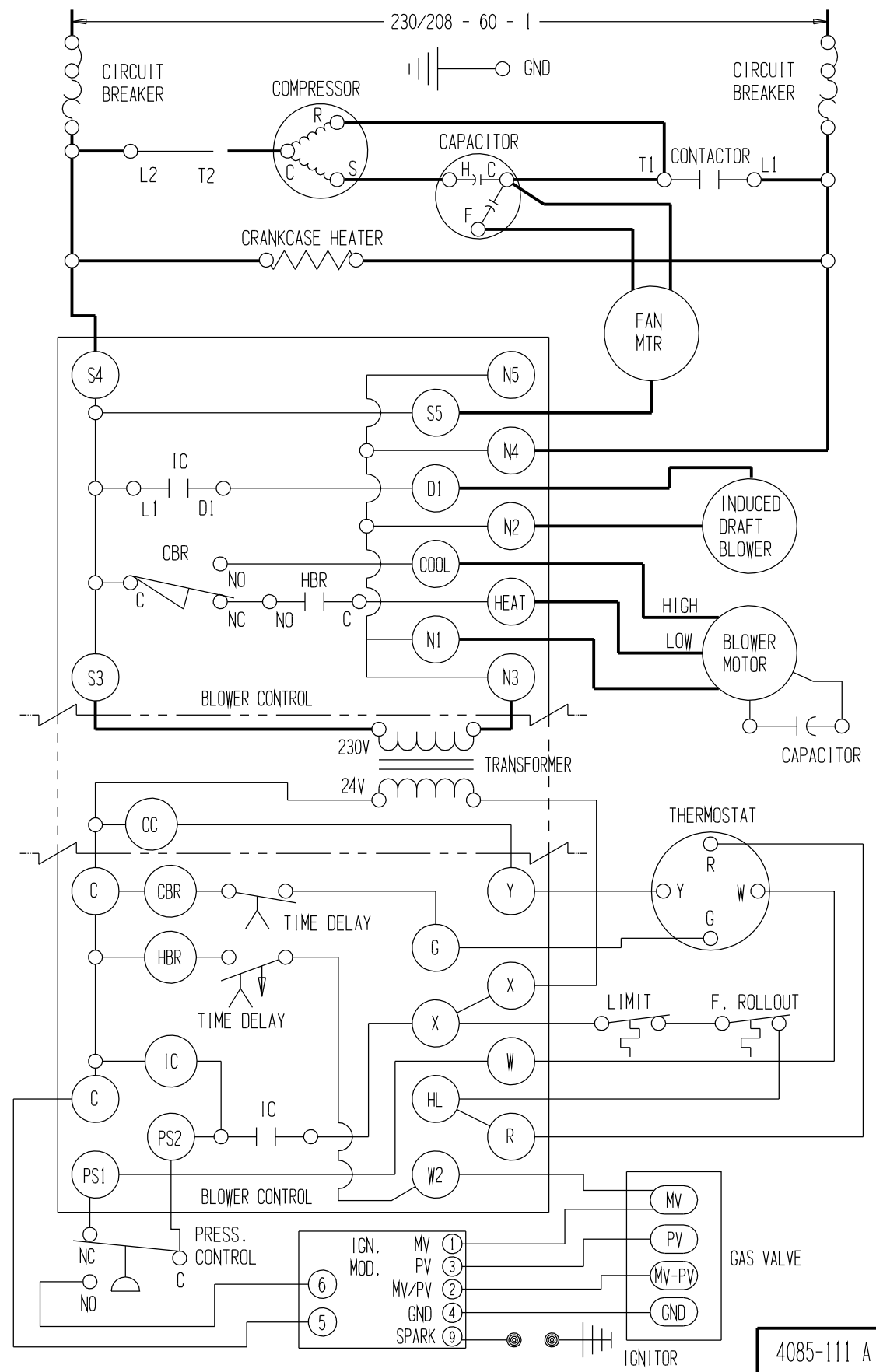


CONNECTION DIAGRAM

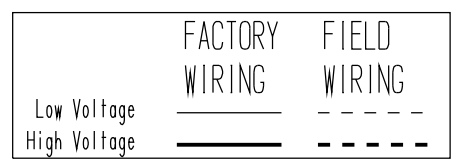
DANGER: ELECTRICAL SHOCK HAZARD,
DISCONNECT POWER BEFORE SERVICING



LADDER DIAGRAM



MODEL	A RUN CAPACITOR	B CIRCUIT BREAKER
WAG30B-A54C	35+5/370	35A
WAG36B-A54C	40+10/370	40A
WAG40B-A54C	40+10/440	50A



IF ANY OF THE ORIGINAL WIRE AS SUPPLIED WITH THE APPLIANCE MUST BE REPLACED, IT MUST BE REPLACED WITH WIRING MATERIAL HAVING A TEMPERATURE RATING OF ATLEAST 105°C EXCEPT THE IGNITION CABLE WHICH IS 250°C HIGH VOLTAGE CABLE.

1 SET HEAT ANTICIPATOR AT .6 A 2 FOR 208V OPERATION MOVE THIS WIRE TO 208V TRANSFORMER TAP 3 ADD JUMPER Rc - Rh