

### COMPONENT CODE

CB	CIRCUIT BREAKER
COMP	COMPRESSOR
CC	COMPRESSOR CONTACTOR
CCM	COMP. CONTROL MODULE
FCB	FURNACE CONTROL BOARD
FR	FLAME ROLLOUT
FS	FLAME SENSOR
GND	GROUND
GV	GAS VALVE
HPC	HIGH PRESSURE CONTROL
IBC	INDOOR BLOWER CAPACITOR
IBM	INDOOR BLOWER MOTOR
IDB	INDUCED DRAFT BLOWER
LAC	LOW AMBIENT CONTROL
LPC	LOW PRESSURE CONTROL
DFC	OUTDOOR FAN CAPACITOR
DFM	OUTDOOR FAN MOTOR
PL1	2 PIN PLUG
PM	PHASE MONITOR
PRL	PRIMARY LIMIT
PS	PRESSURE SWITCH
SI	SPARK IGNITER
SL	SECONDARY LIMIT
T	TRANSFORMER
TB	TERMINAL BLOCK
TS	TERMINAL STRIP

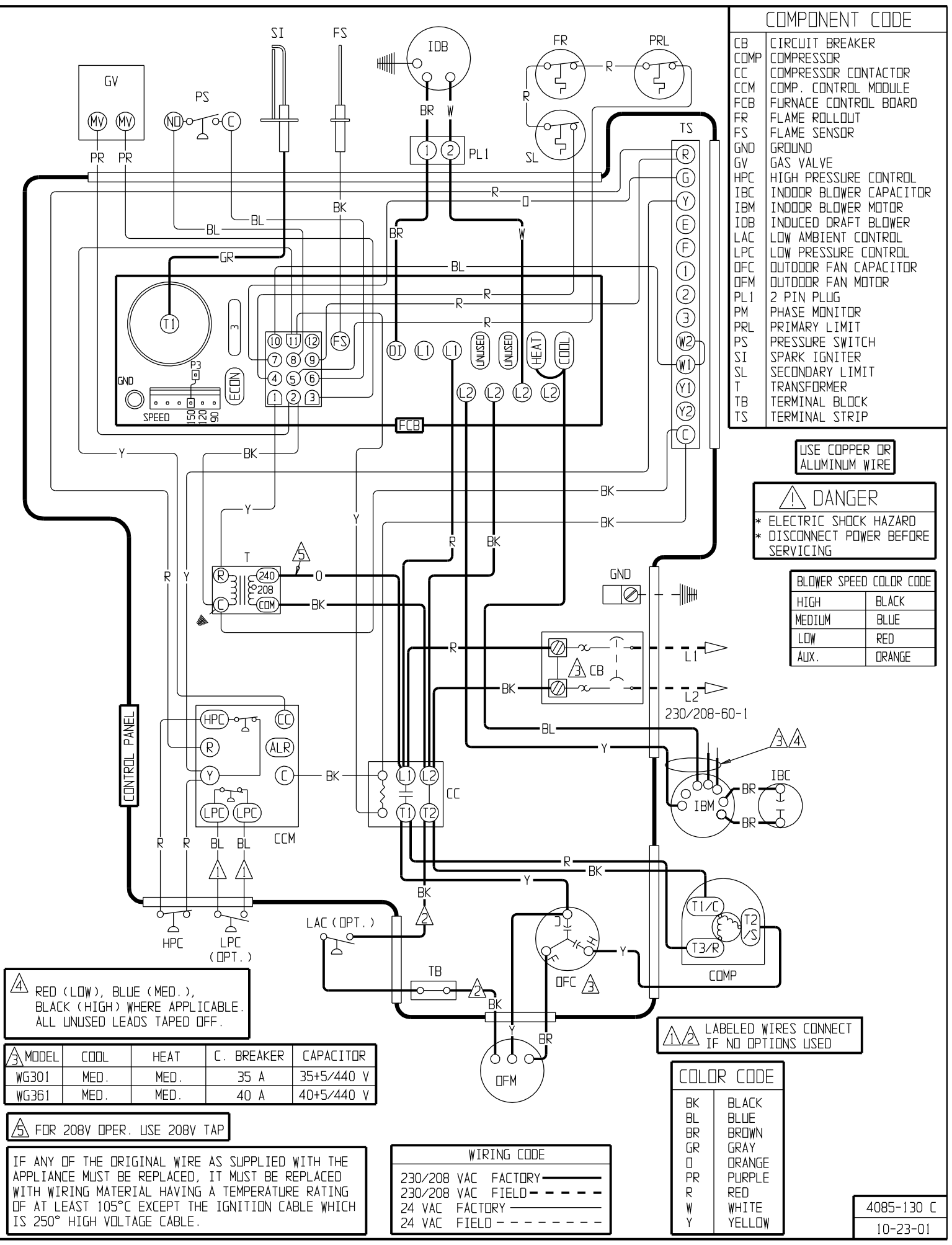
USE COPPER OR ALUMINUM WIRE

### ⚠ DANGER

\* ELECTRIC SHOCK HAZARD  
\* DISCONNECT POWER BEFORE SERVICING

### BLOWER SPEED COLOR CODE

HIGH	BLACK
MEDIUM	BLUE
LOW	RED
AUX.	ORANGE



⚠ RED (LOW), BLUE (MED.), BLACK (HIGH) WHERE APPLICABLE. ALL UNUSED LEADS TAPED OFF.

MODEL	COOL	HEAT	C. BREAKER	CAPACITOR
WG301	MED.	MED.	35 A	35+5/440 V
WG361	MED.	MED.	40 A	40+5/440 V

⚠ FOR 208V OPER. USE 208V TAP

IF ANY OF THE ORIGINAL WIRE AS SUPPLIED WITH THE APPLIANCE MUST BE REPLACED, IT MUST BE REPLACED WITH WIRING MATERIAL HAVING A TEMPERATURE RATING OF AT LEAST 105°C EXCEPT THE IGNITION CABLE WHICH IS 250° HIGH VOLTAGE CABLE.

WIRING CODE	
230/208 VAC	FACTORY ———
230/208 VAC	FIELD - - - - -
24 VAC	FACTORY ———
24 VAC	FIELD - - - - -

⚠ Labeled wires connect if no options used

COLOR CODE	
BK	BLACK
BL	BLUE
BR	BROWN
GR	GRAY
O	ORANGE
PR	PURPLE
R	RED
W	WHITE
Y	YELLOW