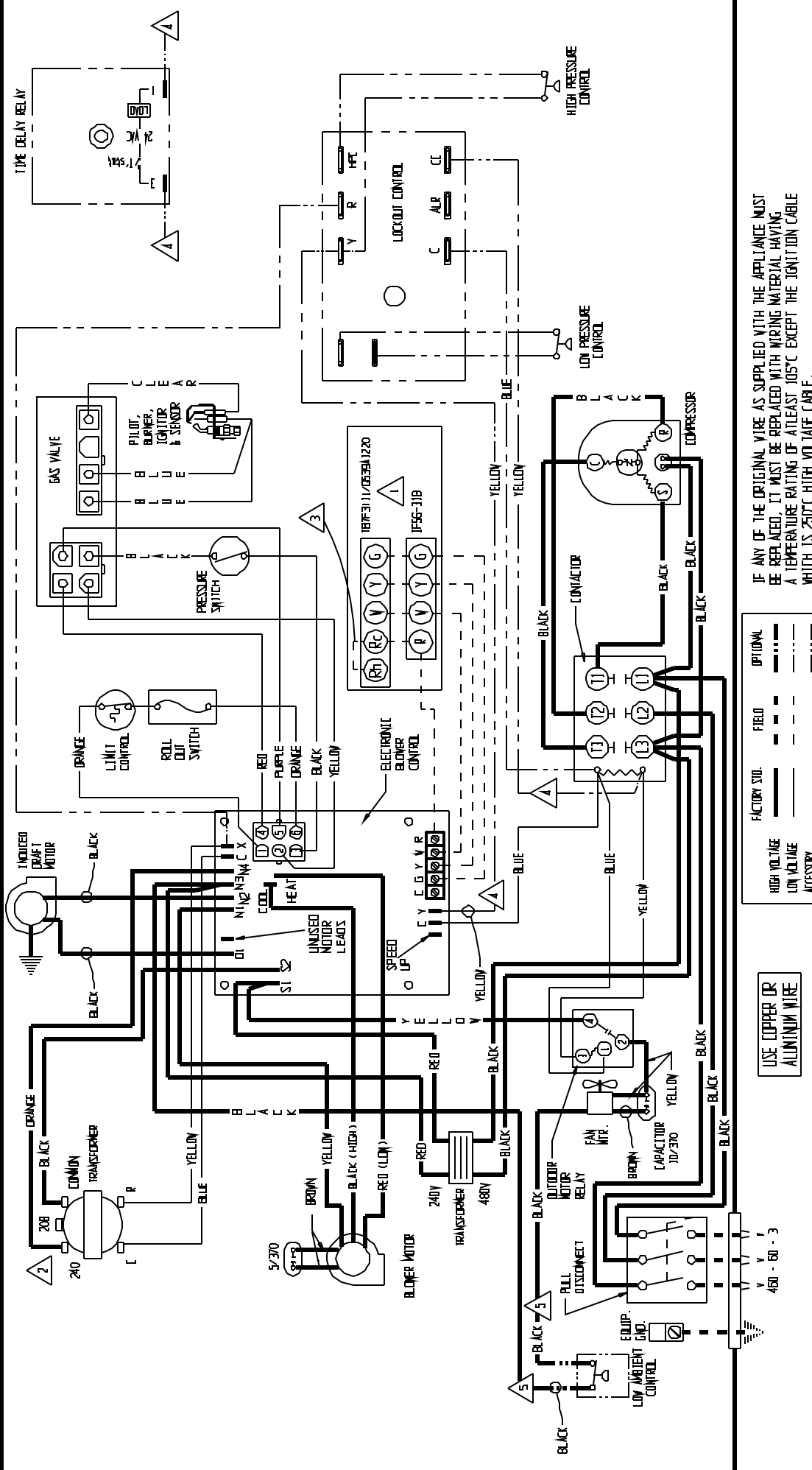


CONNECTION DIAGRAM

**DANGER: ELECTRICAL SHOCK HAZARD,
DISCONNECT POWER BEFORE SERVICING**



IF ANY OF THE ORIGINAL WIRE AS SUPPLIED WITH THE APPLIANCE MUST BE REPLACED, IT MUST BE REPLACED WITH WIRING MATERIAL HAVING A TEMPERATURE RATING OF AT LEAST 105°C EXCEPT THE IGNITION CABLE WHICH IS 250°C HIGH VOLTAGE CABLE.

FACTORY STD.	SOLID LINE	OPTIONAL	DASHED LINE
HIGH VOLTAGE	DASHED LINE WITH DIAGONAL STRIPES	FIELD	DASHED LINE WITH DOTS
LOW VOLTAGE	DASHED LINE WITH HORIZONTAL STRIPES	ACCESSORY	DASHED LINE WITH VERTICAL STRIPES

USE COPPER OR ALUMINUM WIRE

1 SET HEAT ANTICIPATOR AT 5 A 2 FOR 208V OPERATION NOTE THIS WIRE TO 208V TRANSFORMER TIP 3 ADD JUMPER Re - Rn 4 5 LABELLED WIRES CONNECT IF NO OPTIONS USED