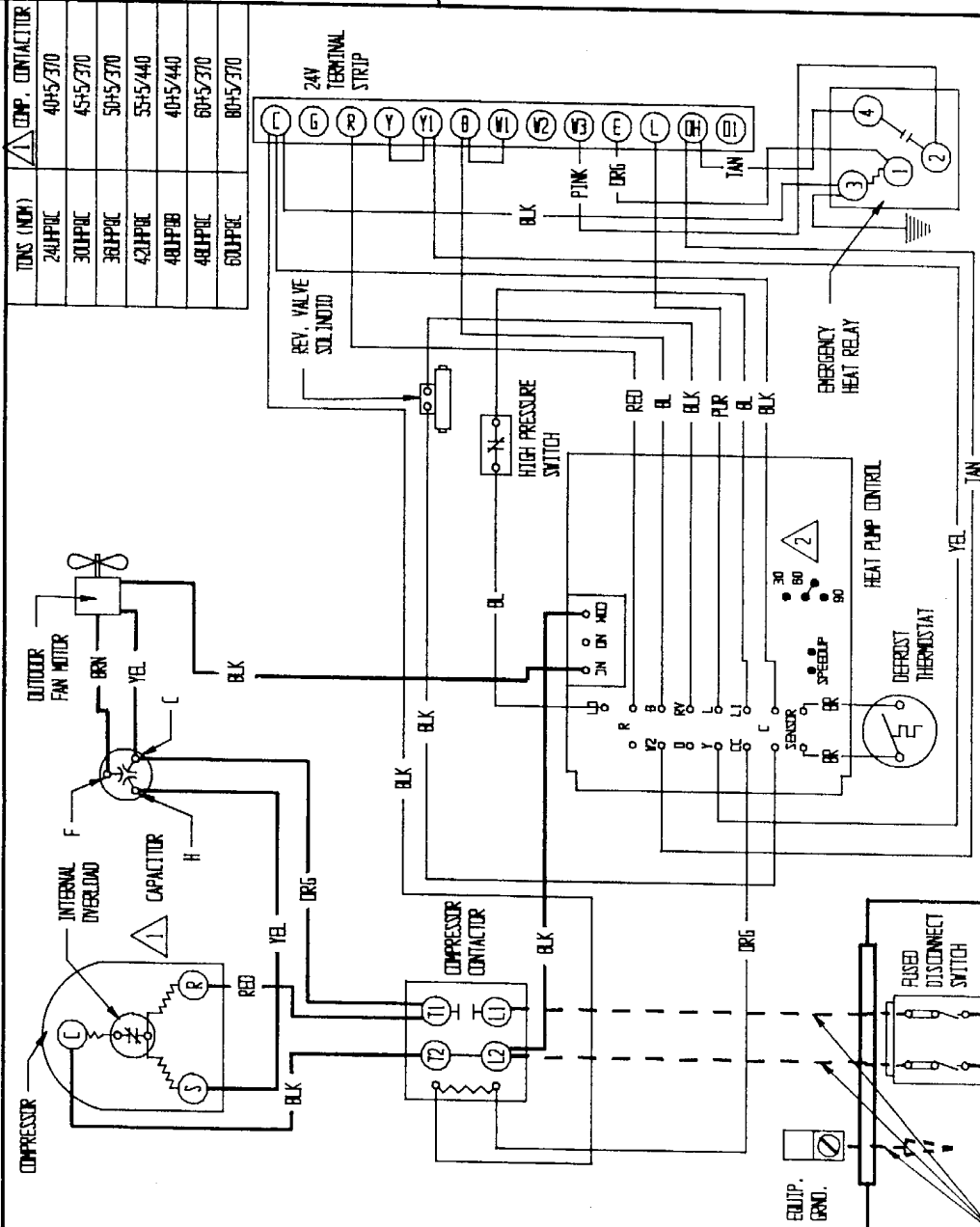


CONNECTION DIAGRAM

DANGER: ELECTRICAL SHOCK HAZARD,
DISCONNECT POWER BEFORE SERVICING



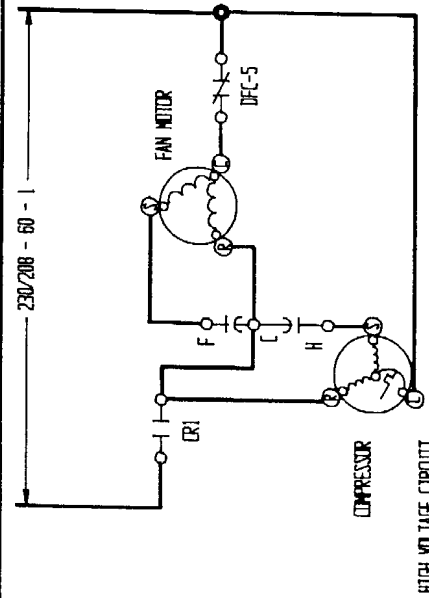
TONS (NOM)	COMP. CONTACTOR
24HP/FC	40HS/370
30HP/FC	45HS/370
36HP/FC	50HS/370
42HP/FC	55HS/440
48HP/BB	60HS/440
48HP/FC	60HS/370
60HP/FC	80HS/370

FACTORY FIELD WIRING
WIRING WIRING

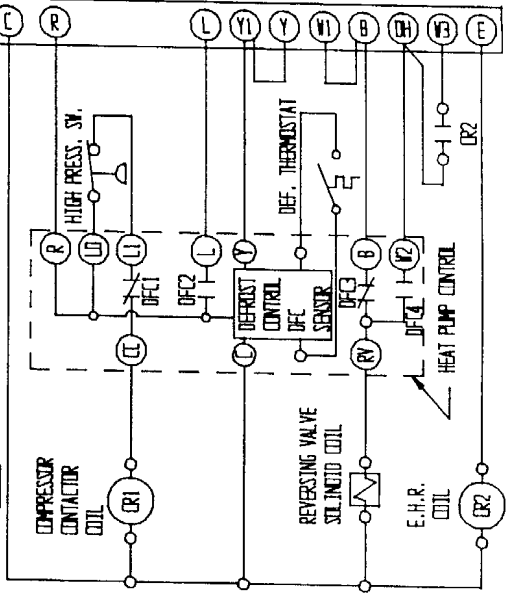
Low Voltage
High Voltage

2. FACTORY SET ON 60 MIN. CYCLE
RECONNECT TO 30 PER 30 MIN. CYCLE
RECONNECT TO 90 PER 90 MIN. CYCLE

LADDER DIAGRAM



HIGH VOLTAGE CIRCUIT



LOW VOLTAGE CIRCUIT

3. 24 VOLTS PER LOW VOLTAGE CONTROL CIRCUIT SUPPLIED BY INDOR UNIT TRANSFORMER