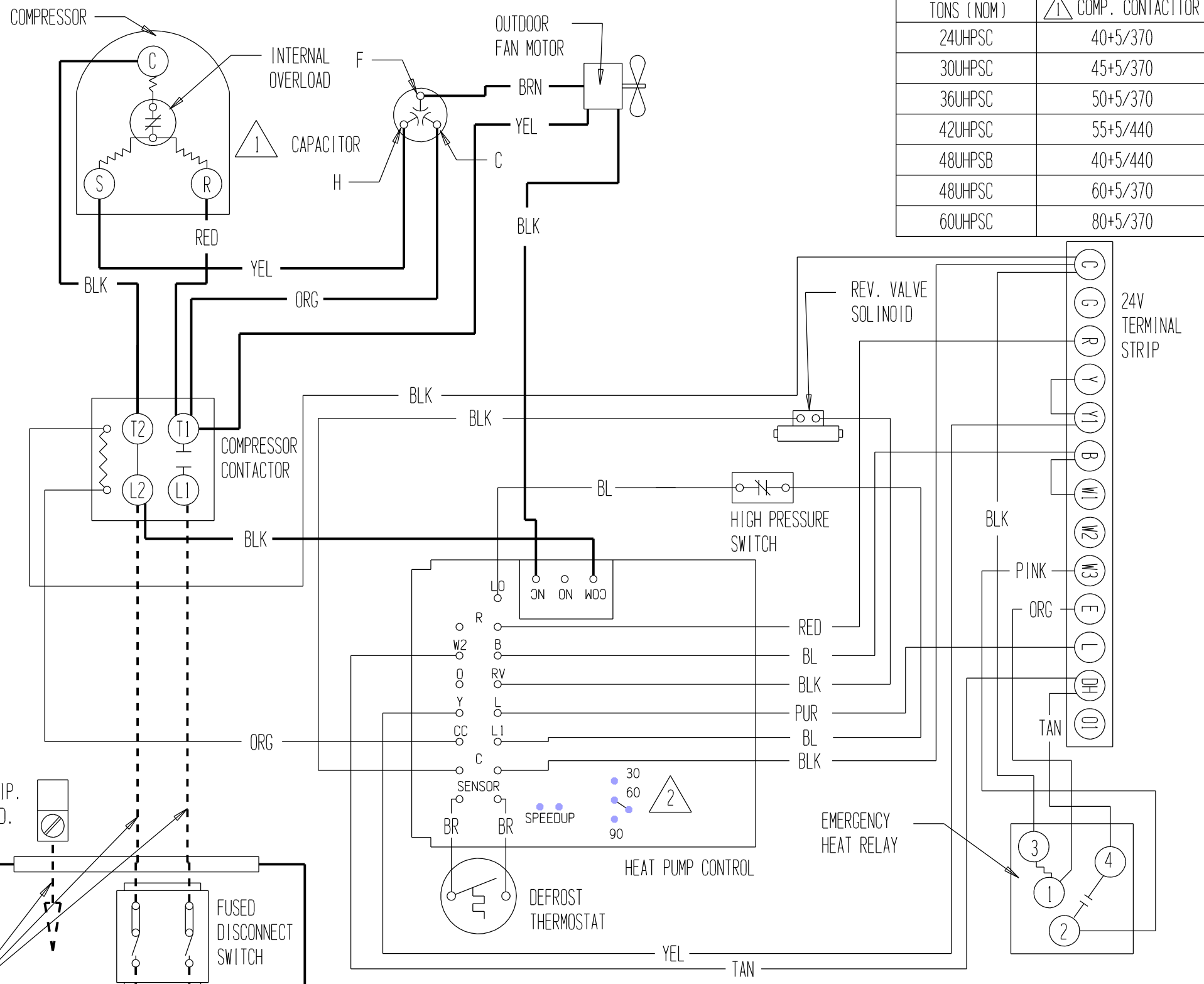


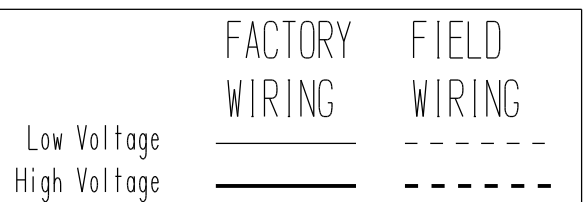
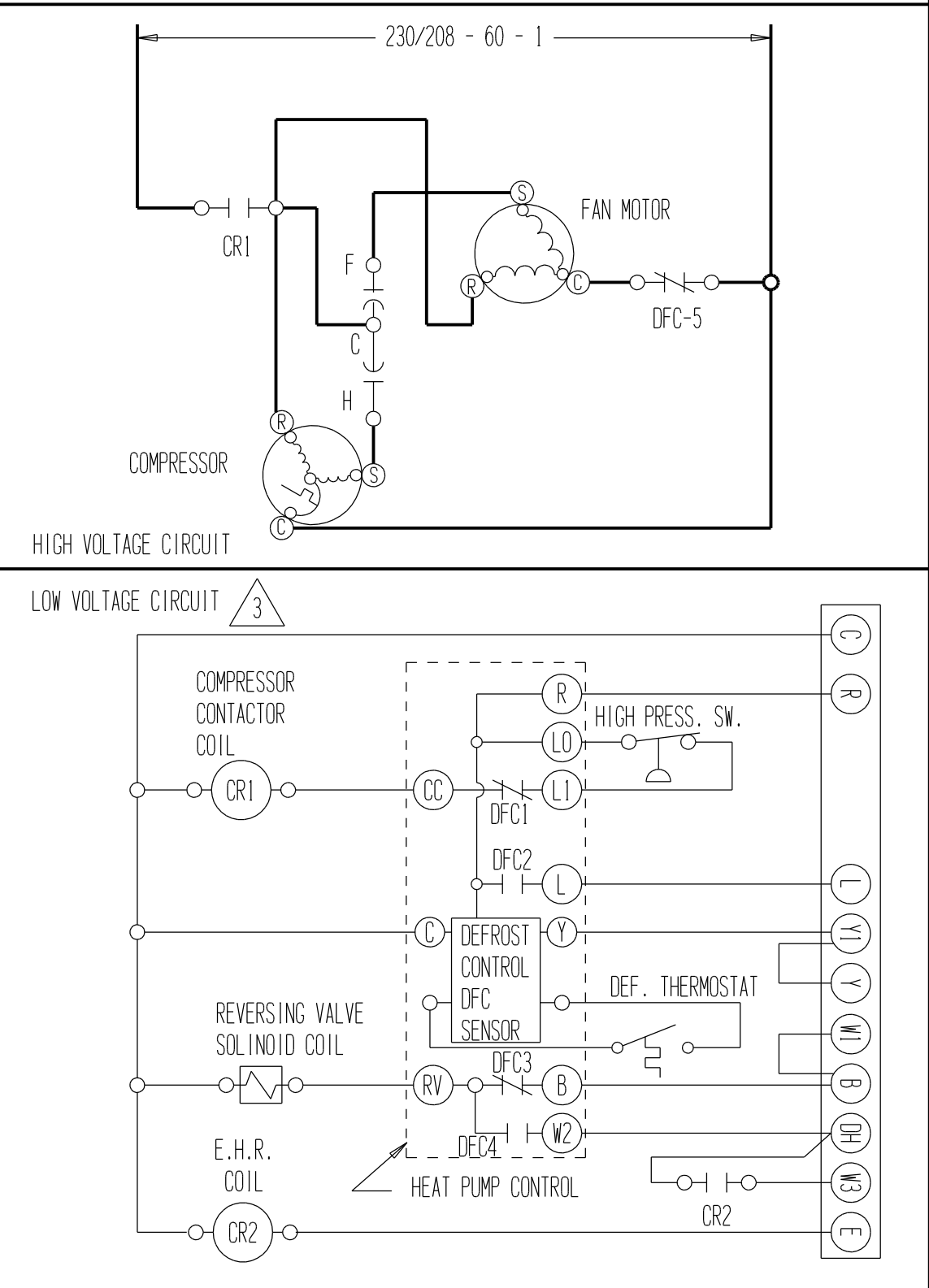
CONNECTION DIAGRAM

DANGER: ELECTRICAL SHOCK HAZARD,
DISCONNECT POWER BEFORE SERVICING



TONS (NOM)	COMP. CONTACTOR
24UHPSC	40+5/370
30UHPSC	45+5/370
36UHPSC	50+5/370
42UHPSC	55+5/440
48UHPSC	60+5/370
60UHPSC	80+5/370

LADDER DIAGRAM



2 FACTORY SET ON 60 MIN. CYCLE
RECONNECT TO 30 FOR 30 MIN. CYCLE
RECONNECT TO 90 FOR 90 MIN. CYCLE

3 24 VOLTS FOR LOW VOLTAGE CONTROL CIRCUIT SUPPLIED BY INDOOR UNIT TRANSFORMER