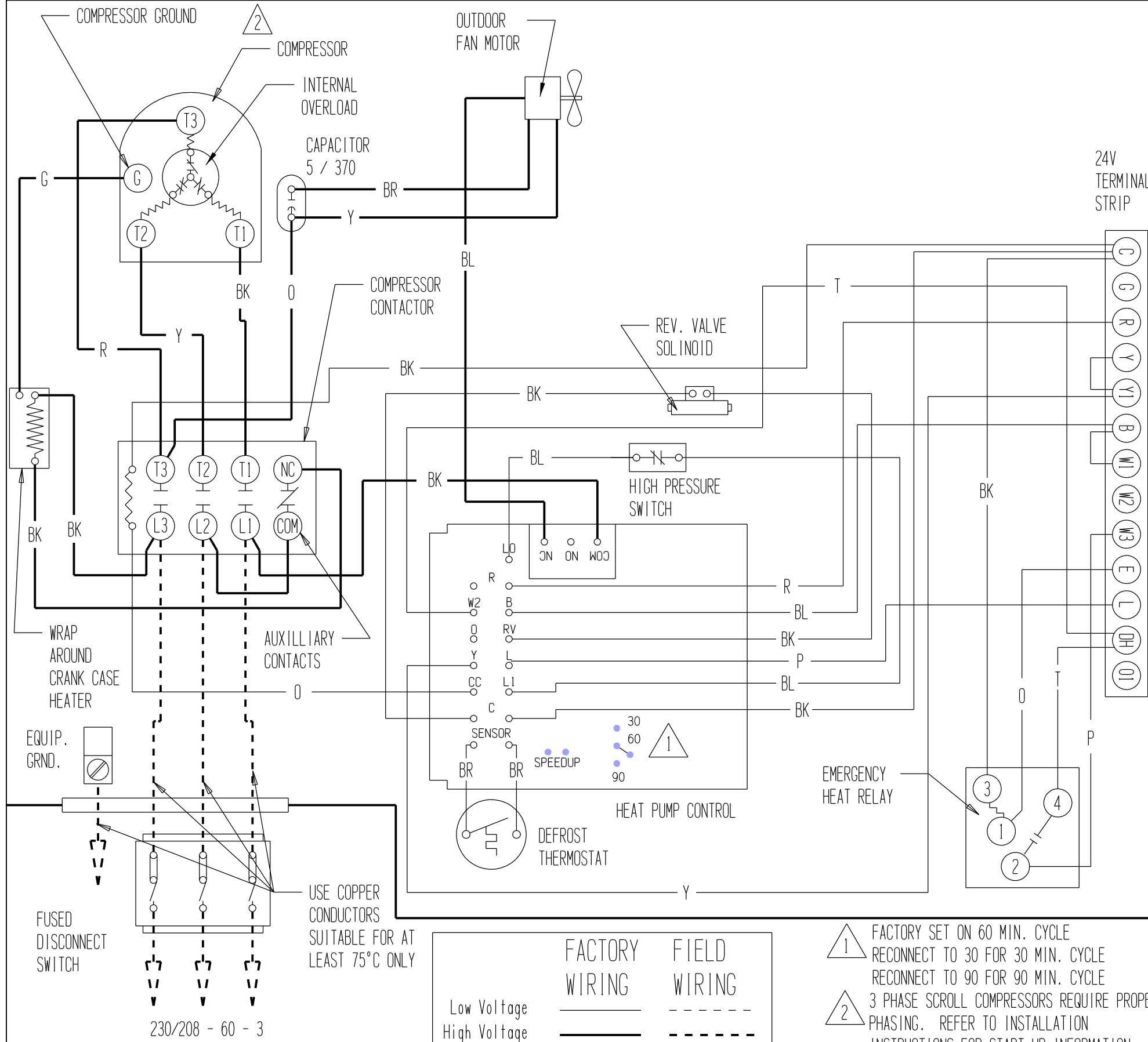
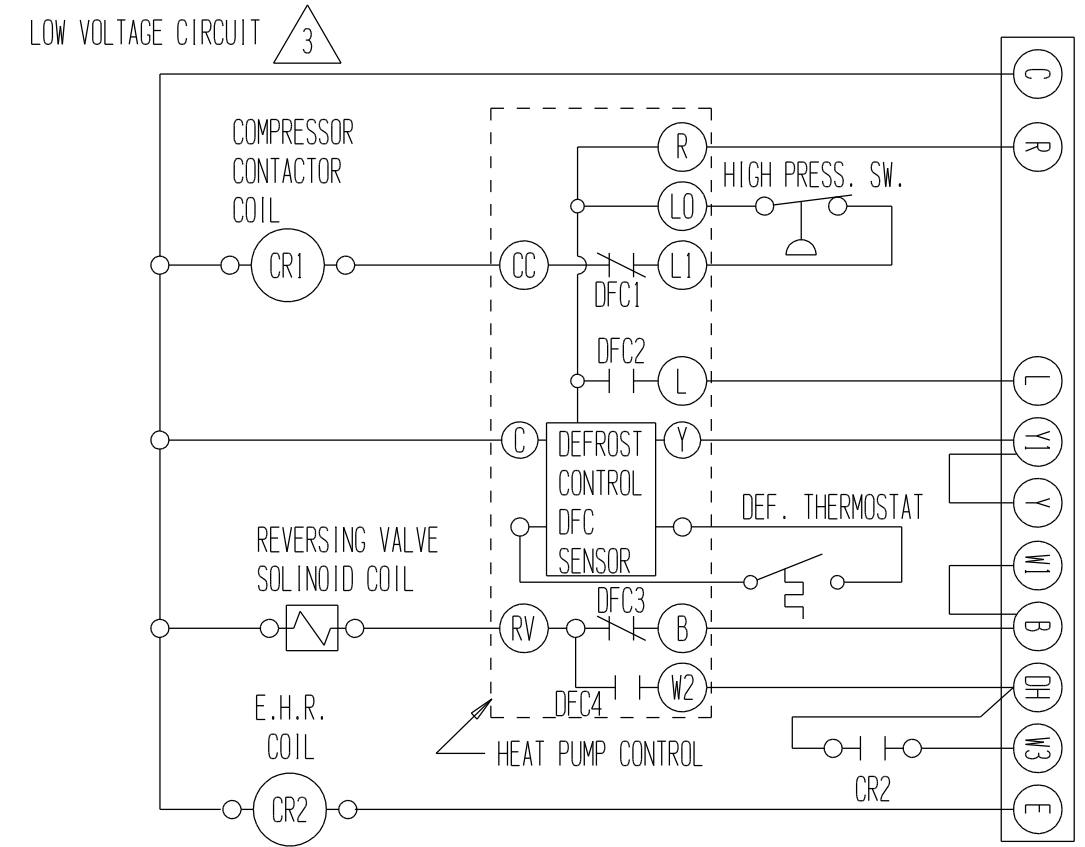
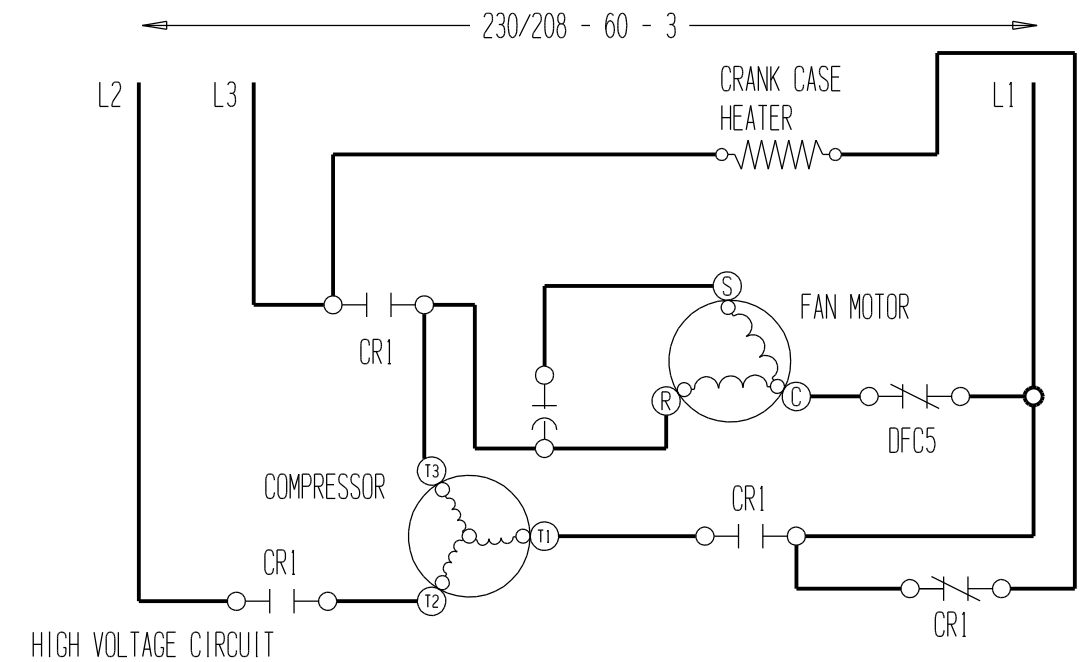


# CONNECTION DIAGRAM

DANGER: ELECTRICAL SHOCK HAZARD,  
DISCONNECT POWER BEFORE SERVICING



# LADDER DIAGRAM



- 1 FACTORY SET ON 60 MIN. CYCLE  
RECONNECT TO 30 FOR 30 MIN. CYCLE  
RECONNECT TO 90 FOR 90 MIN. CYCLE
- 2 3 PHASE SCROLL COMPRESSORS REQUIRE PROPER  
PHASING. REFER TO INSTALLATION  
INSTRUCTIONS FOR START UP INFORMATION

3 24 VOLTS FOR LOW VOLTAGE CONTROL CIRCUIT SUPPLIED BY INDOOR  
UNIT TRANSFORMER