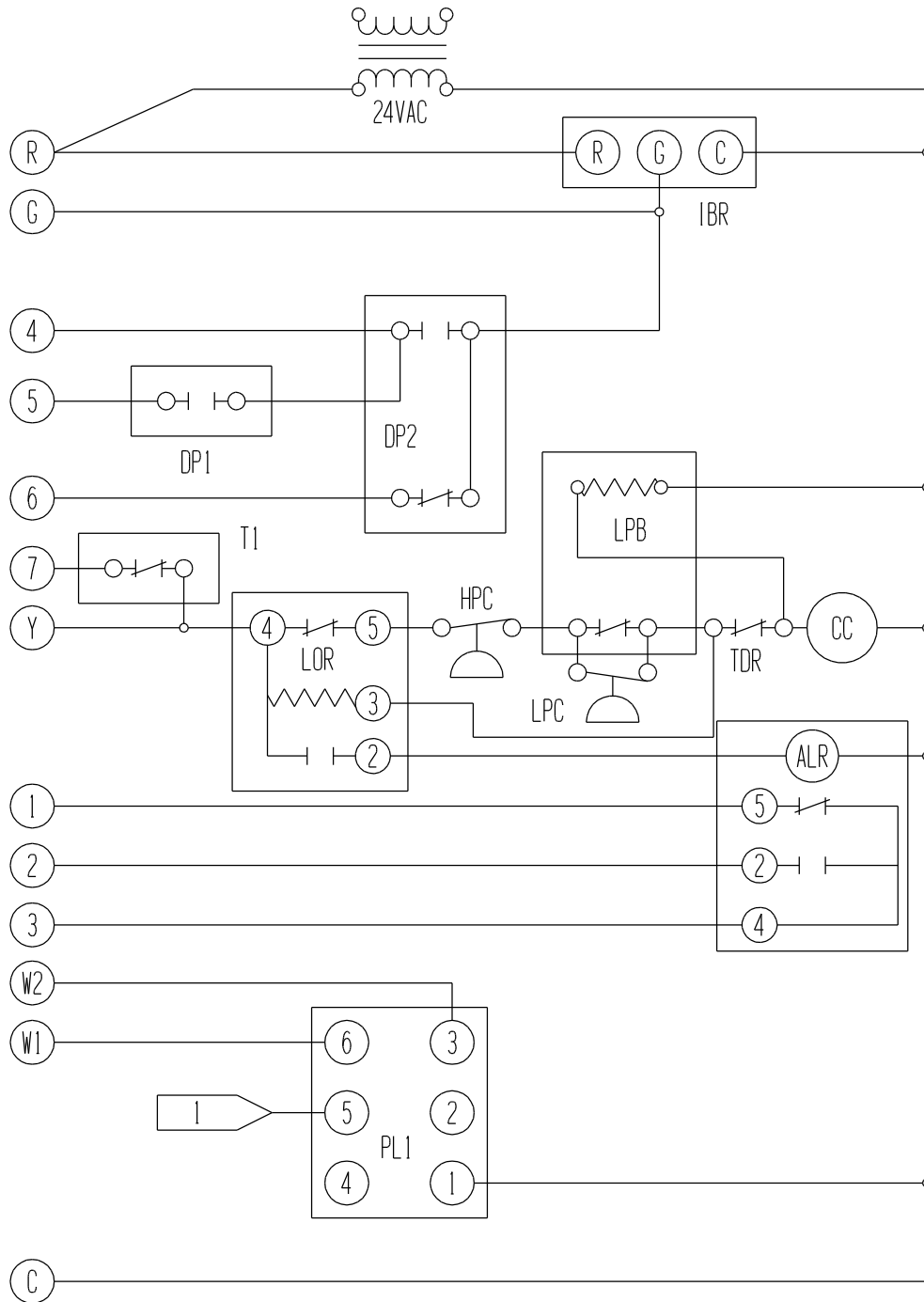


UNIT LOW VOLTAGE TRANSFORMER

WALLMOUNT UNIT LOW VOLTAGE DIAGRAM



COMPONENT CODE	
IBR	INDOOR BLOWER RELAY
DP1	RESTRICTED FILTER SWITCH
DP2	AIRFLOW LOSS SWITCH
T1	DISCHARGE AIR THERMOSTAT
LOR	LOCKOUT RELAY
HPC	HEAD PRESSURE CONTROL
LPC	LOW PRESSURE CONTROL
LAC	LOW AMBIENT CONTROL
ALR	HI/LOW PRESS. ALARM RELAY
PL1	PLUG 1
TDR	COMP. TIME DELAY RELAY
CC	COMPRESSOR CONTACTOR
LPB	LOW PRESS. BYPASS TDR
TDR1	AIRFLOW LOSS TDR
TDR2	DISCHARGE AIR ALARM TDR
R1	CONTROL RELAY 1
R2	CONTROL RELAY 2
R3	CONTROL RELAY 3
HTA	HIGH TEMPERATURE ALARM
LTA	LOW TEMPERATURE ALARM
HHA	HIGH HUMIDITY ALARM
LHA	LOW HUMIDITY ALARM
T2	2H/2C THERMOSTAT