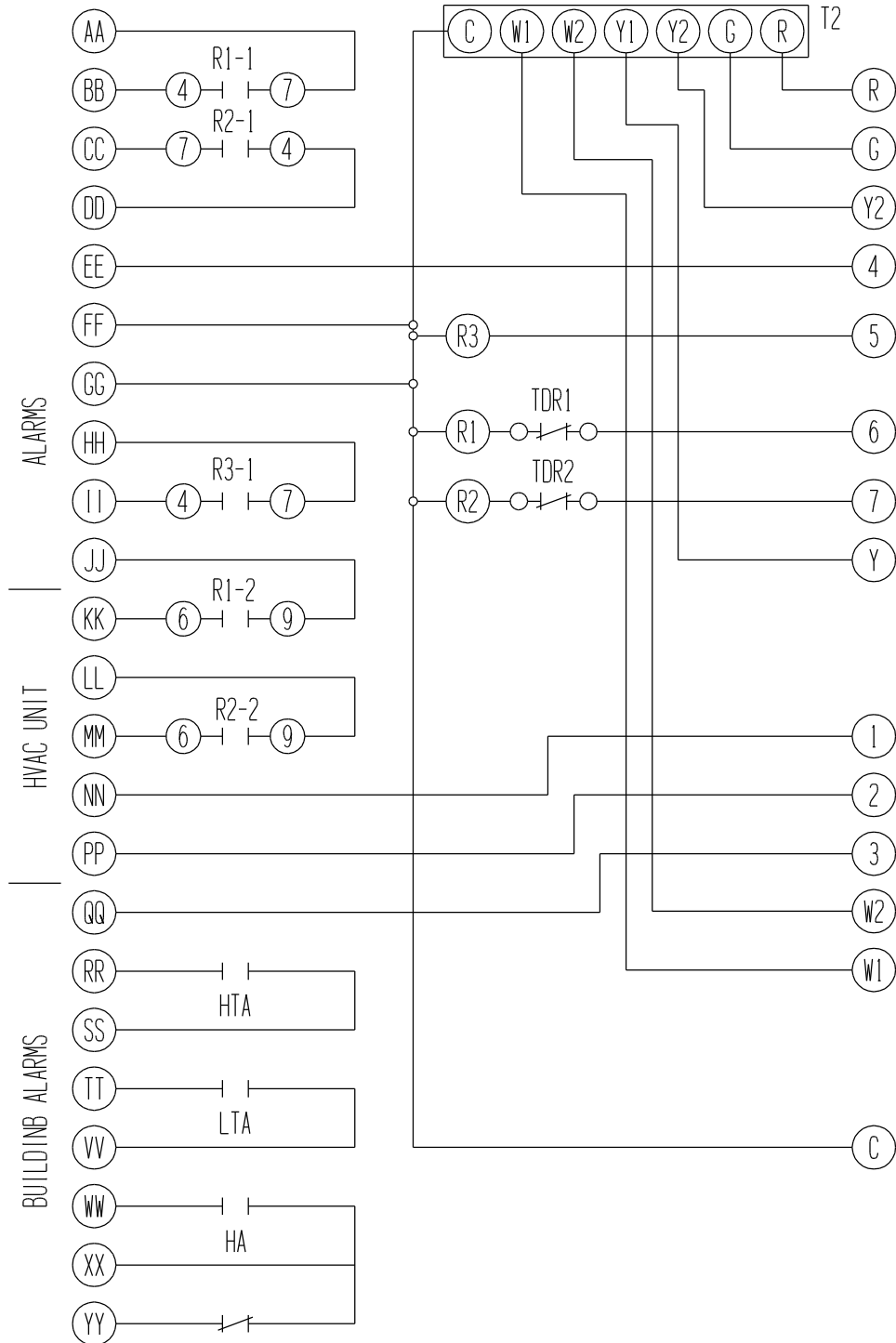


# WALLMOUNT COMPANION AUXILIARY CONTROL LADDER DIAGRAM



HVAC UNIT 1 CONNECTIONS

COMPONENT CODE	
T1	2H/2C THERMOSTAT
ALR	HI/LOW PRESS. ALARM RELAY
TDR1	AIRFLOW LOSS TDR
TDR2	DISCHARGE AIR ALARM TOR
TDR3	AIRFLOW LOSS TIME DELAY RELAY
TDR4	DISCHARGE AIR ALARM TIME DELAY RELAY
R1	CONTROL RELAY 1
R2	CONTROL RELAY 2
R3	CONTROL RELAY 3
R4	CONTROL RELAY 4
R5	CONTROL RELAY 5
R6	CONTROL RELAY 6
HTA	HIGH TEMPERATURE ALARM
LTA	LOW TEMPERATURE ALARM
HHA	HIGH HUMIDITY ALARM
LHA	LOW HUMIDITY ALARM
T2	2H/2C THERMOSTAT