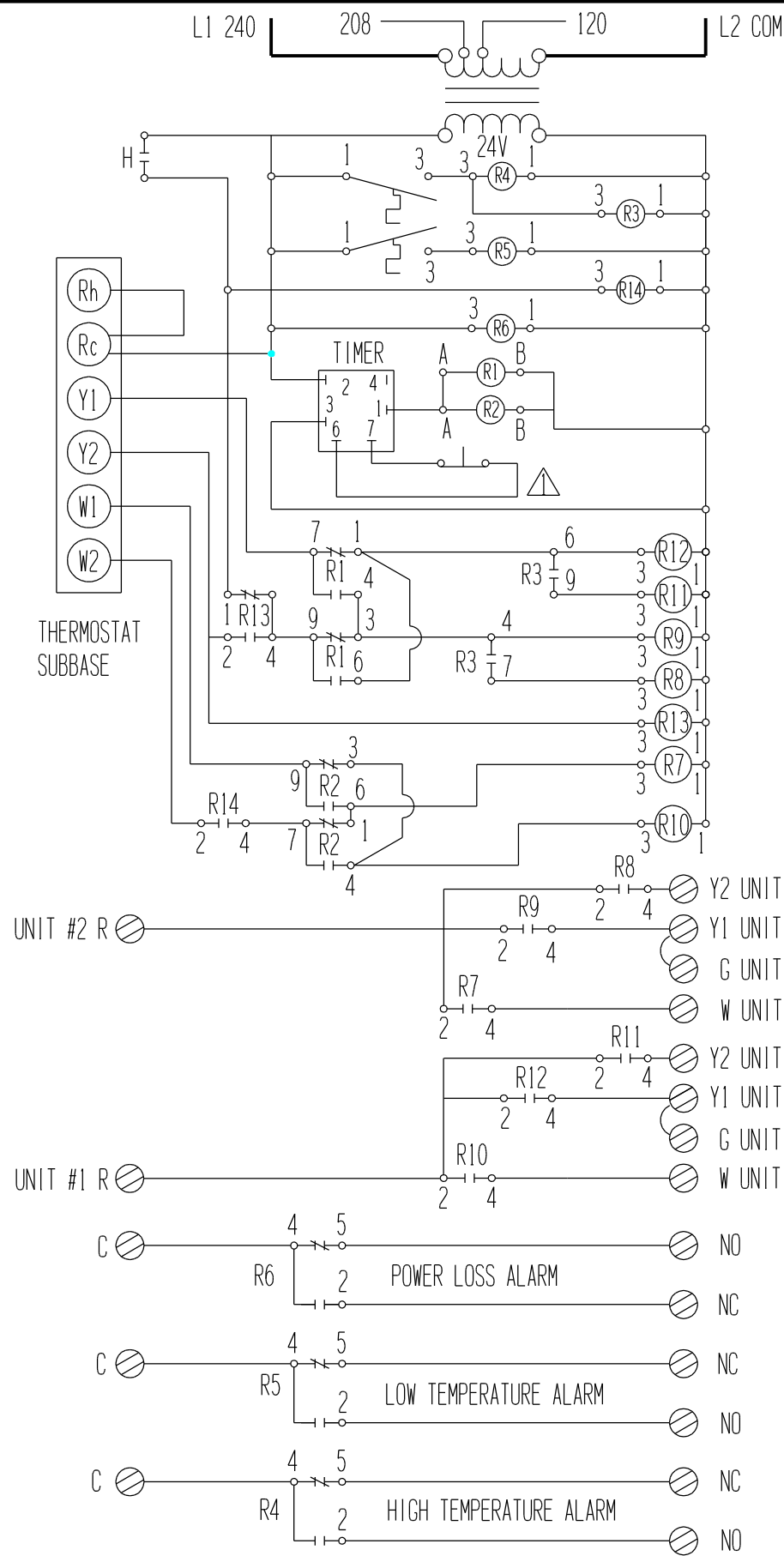


MC96AEH LADDER DIAGRAM



- 1 PUSH AND HOLD SWITCH FOR 10 SECONDS FOR TIMER SPEED UP. CONNECT SWITCH FROM 6 TO 7 FOR 24 HR. TIMING. CONNECT SWITCH FROM 6 TO 4 FOR 7 DAY TIMING.
- 2 DISCONNECT ORANGE WIRE AND REPLACE WITH RED WIRE FOR 208 VOLT, WHITE WIRE FOR 120 VOLT OPERATION.

| COLOR CODE | |
|----------------|--------------|
| WIRE COLOR | ABBREVIATION |
| BLACK | BK |
| BROWN | BR |
| RED | R |
| ORANGE | O |
| YELLOW | Y |
| GREEN | G |
| BLUE | BL |
| VIOLET(PURPLE) | V(PR) |
| GRAY(SLATE) | GY(S) |
| WHITE | W |
| TAN | T |
| PINK | PK |
| LAVENDER | L |

MC96AEH WIRING DIAGRAM

