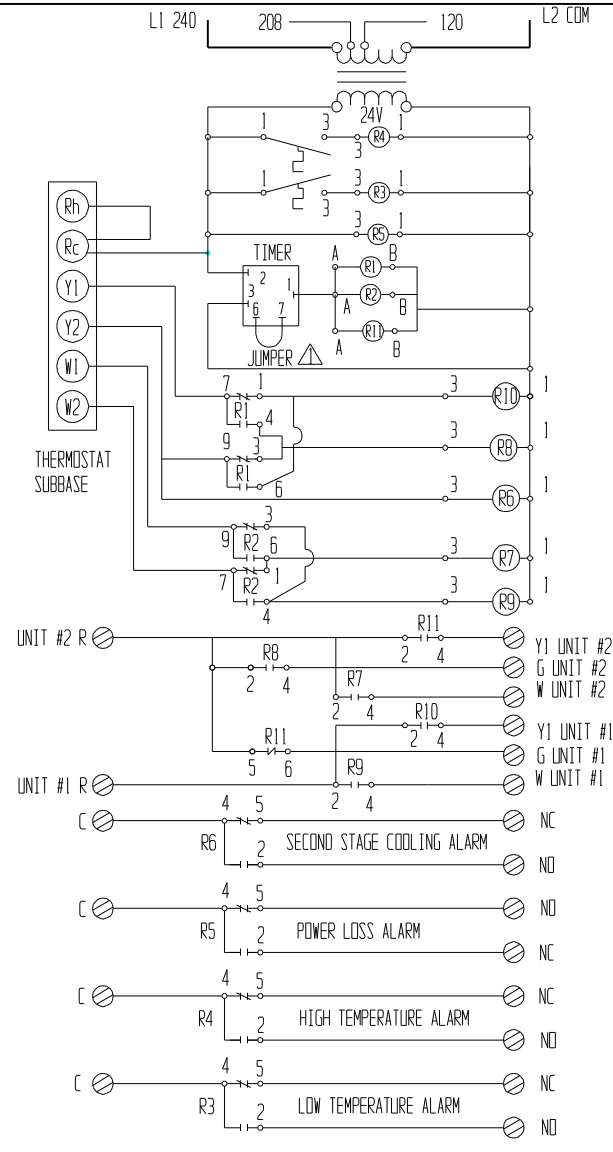
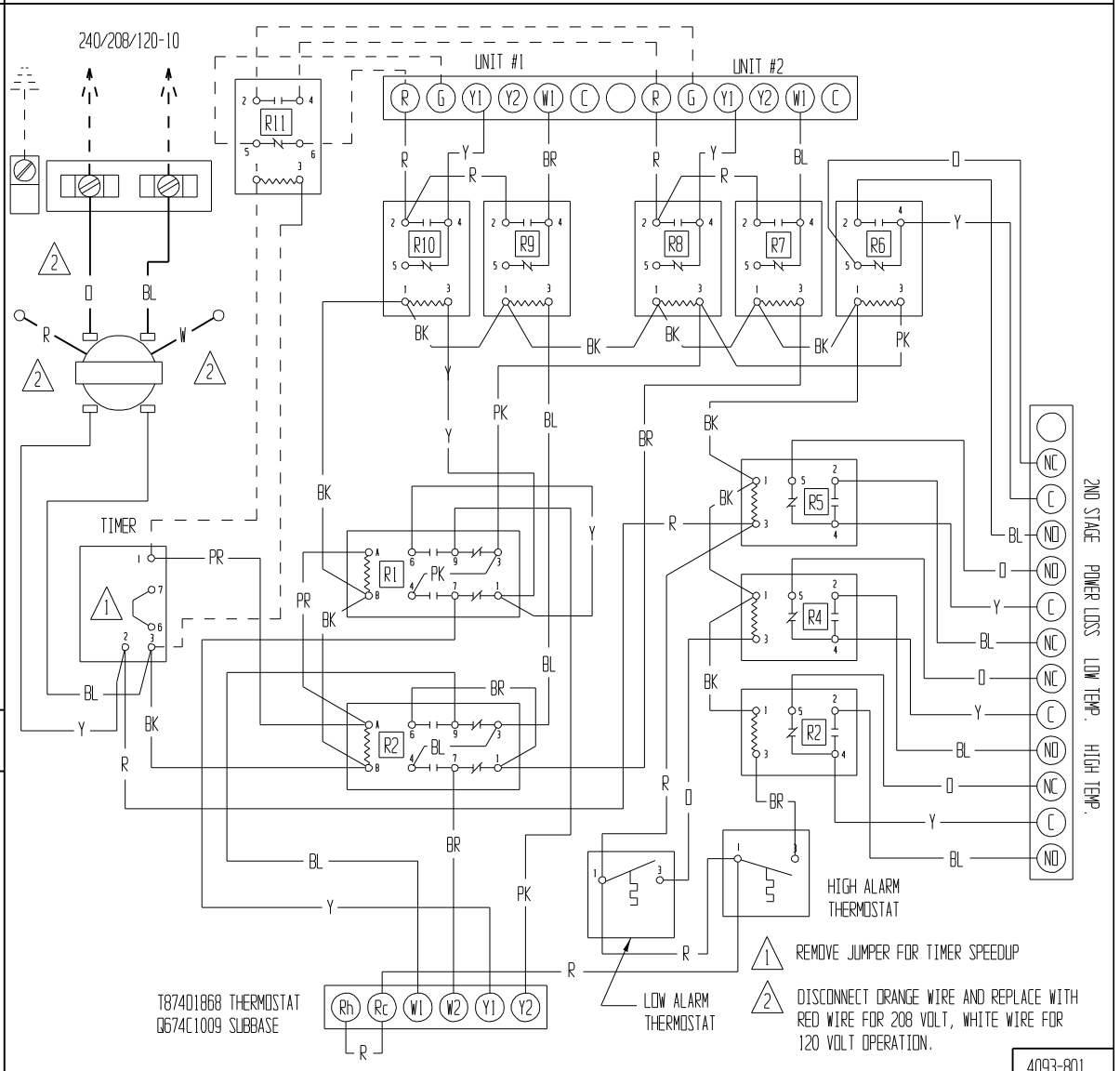


# MC91A LADDER DIAGRAM



WIRE COLOR	COLOR CODE ABBREVIATION
BLACK	BK
BROWN	BR
RED	R
ORANGE	O
YELLOW	Y
GREEN	G
BLUE	BL
VIOLET(PURPLE)	Y(PR)
GRAY(SLATE)	GY(S)
WHITE	W
TAN	T
PINK	PK
LAVENDER	L

# MC91A WIRING DIAGRAM



- 1 REMOVE JUMPER FOR TIMER SPEEDUP
- 2 DISCONNECT ORANGE WIRE AND REPLACE WITH RED WIRE FOR 208 VOLT, WHITE WIRE FOR 120 VOLT OPERATION.