

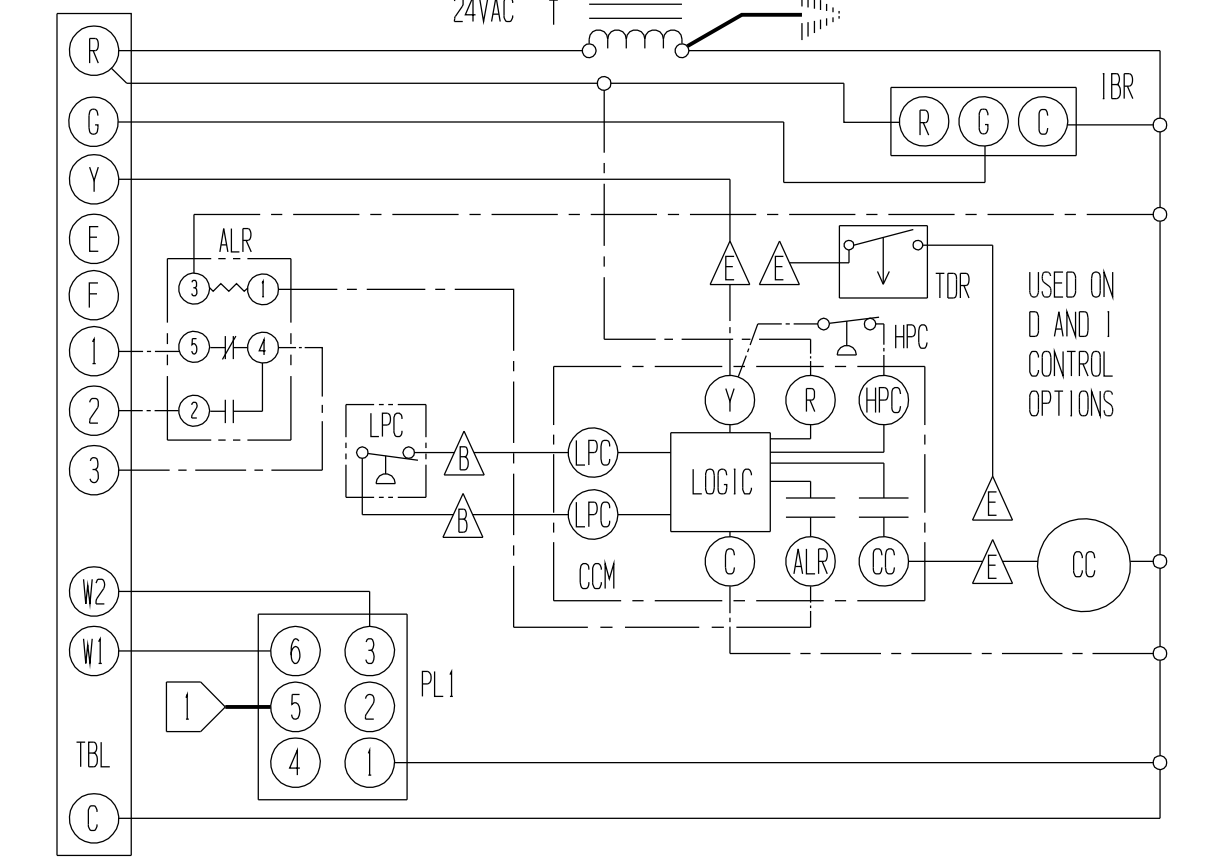
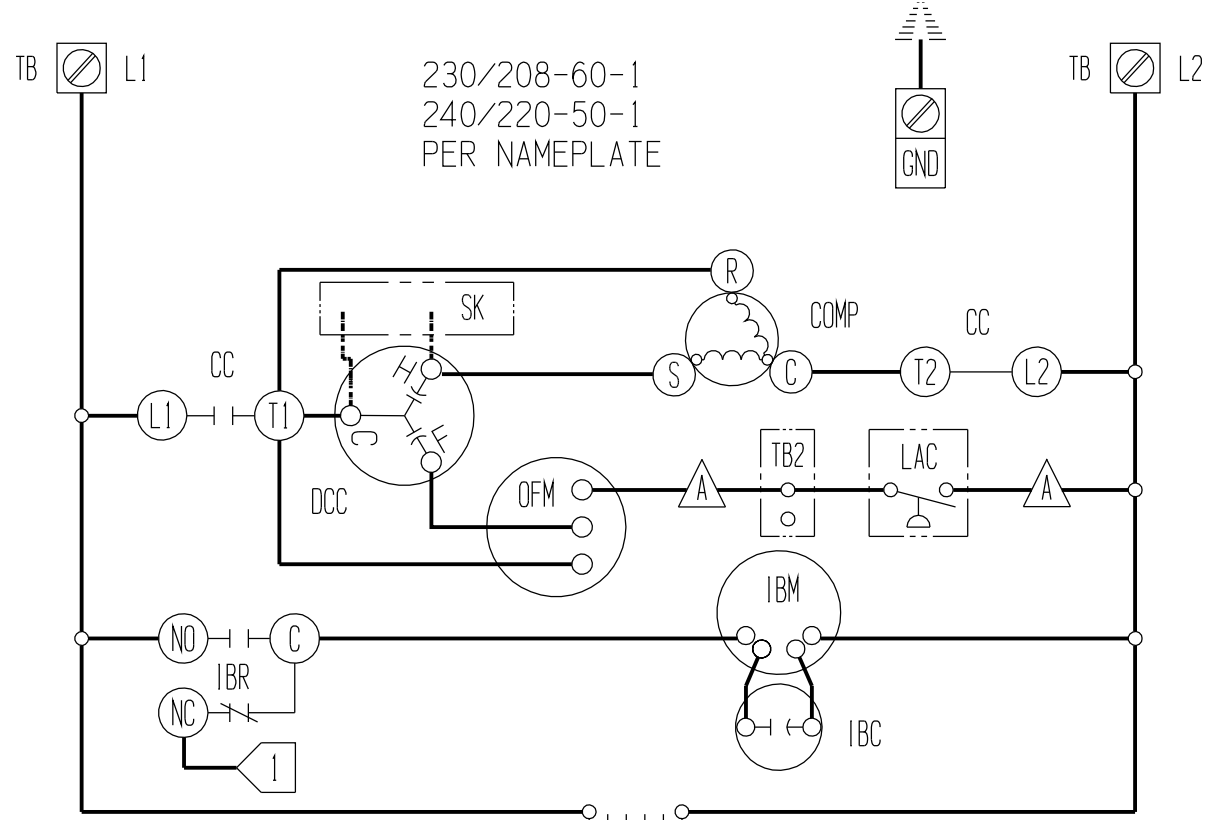
USE COPPER CONDUCTORS
ONLY SUITABLE FOR AT
LEAST 75° C

COMPONENT CODE			
ALR	ALARM RELAY	IBC	INDOOR BLOWER CAPACITOR
CB1	CIRCUIT BREAKER #1	IBM	INDOOR BLOWER MOTOR
CB2	CIRCUIT BREAKER #2	IBR	INDOOR BLOWER RELAY
CC	COMPRESSOR CONTACTOR	LAC	LOW AMBIENT CONTROL
CCM	COMPRESSOR CONTROL MODULE	LPC	LOW PRESSURE CONTROL
COMP	COMPRESSOR	LS	LIMIT SWITCH
DCC	DUAL CAN CAPACITOR	OFM	OUTDOOR FAN MOTOR
GND	EQUIPMENT GROUND	PL1	PLUG #1
H1	HEAT STRIP #1	SK	START KIT
H2	HEAT STRIP #2	T	TRANSFORMER
HC1	HEATER CONTACTOR #1	TB, TB2	TERMINAL BLOCK
HC2	HEATER CONTACTOR #2	TBL	LOW VOLTAGE TERMINAL BLOCK
HPC	HIGH PRESSURE CONTROL	TCO	THERMAL CUTOFF
		TDR	TIME DELAY RELAY

LABELED WIRES CONNECT IF NO OPTIONS USED.
 MOVE RED WIRE TO 208V TAP FOR 208V OPERATION
 RED (50 HZ ONLY) (LOW) BLACK (HIGH) WHERE APPLICABLE

HIGH VOLTAGE	FACTORY STD.			FIELD			OPTIONAL			COLOR CODE				BARD MFG. CO.										
	---	---	---	---	---	---	---	---	BK	BR	R	O	Y		G	BL	W	V (PR)	GY (S)	T	PK	L	TAN	PINK
LOW VOLTAGE	---	---	---	---	---	---	---	---	BK	BR	R	O	Y	G	BL	W	V (PR)	GY (S)	T	PK	L	TAN	PINK	LAVENDER
ACCESSORY	---	---	---	---	---	---	---	---	BK	BR	R	O	Y	G	BL	W	V (PR)	GY (S)	T	PK	L	TAN	PINK	LAVENDER

4095-134



USED ON
D AND I
CONTROL
OPTIONS