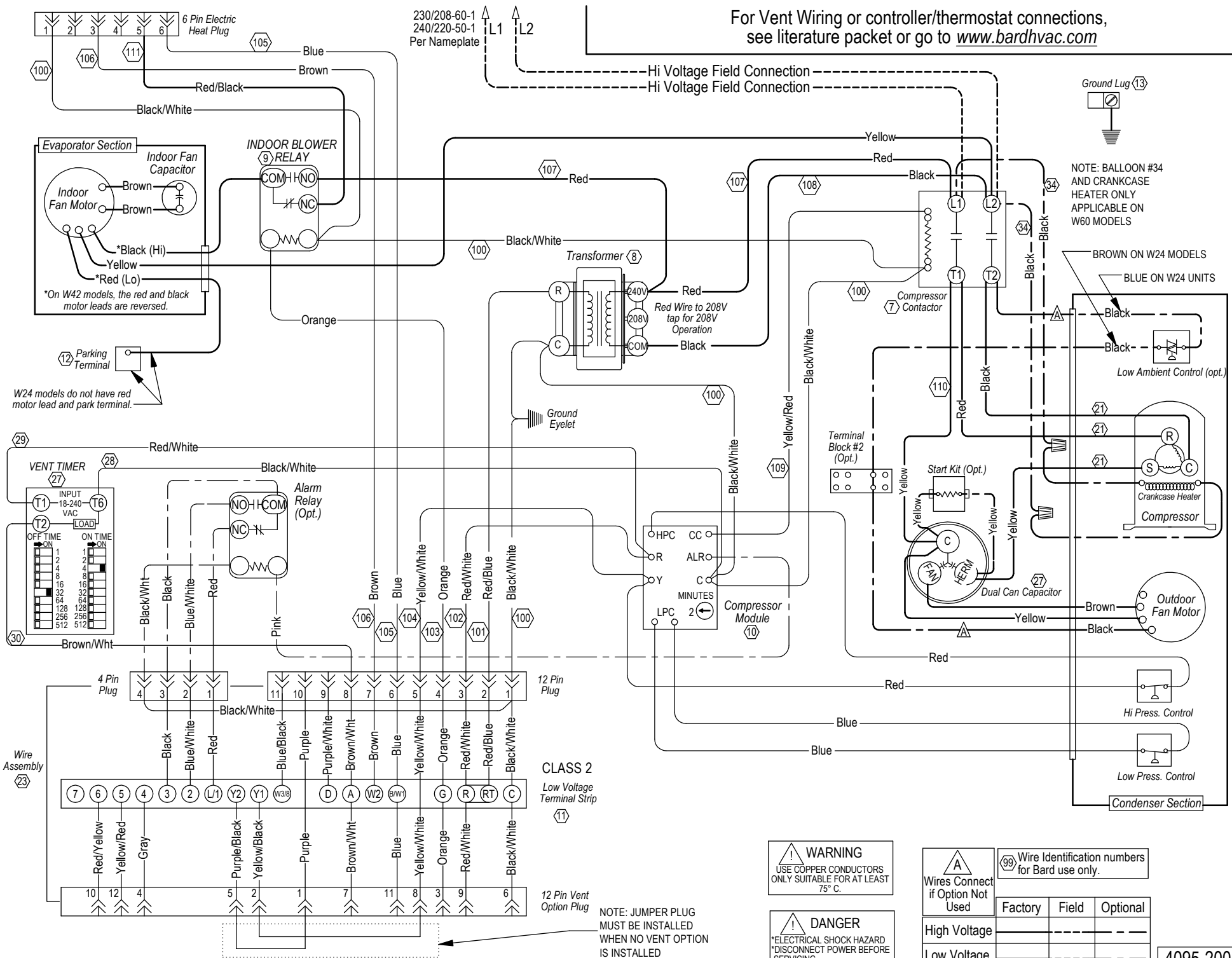
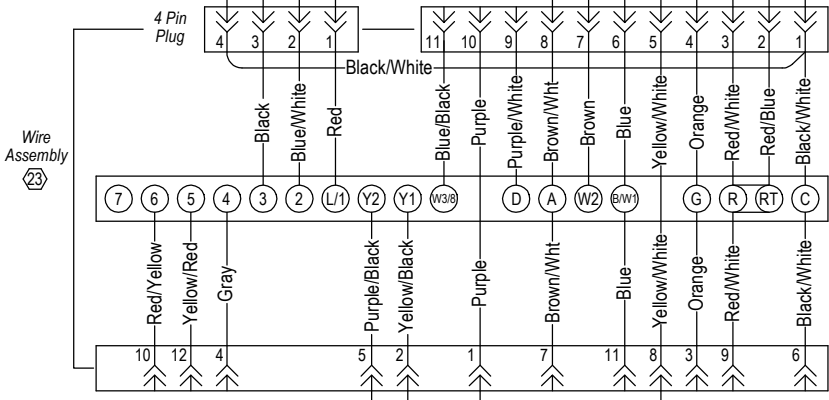
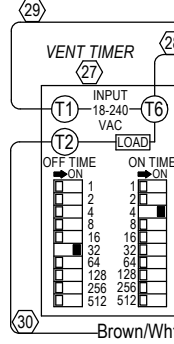


For Vent Wiring or controller/thermostat connections,  
see literature packet or go to [www.bardhvac.com](http://www.bardhvac.com)



W24 models do not have red motor lead and park terminal.



CLASS 2  
Low Voltage  
Terminal Strip  
(11)

NOTE: JUMPER PLUG MUST BE INSTALLED WHEN NO VENT OPTION IS INSTALLED

**WARNING**  
USE COPPER CONDUCTORS ONLY SUITABLE FOR AT LEAST 75° C.

**DANGER**  
ELECTRICAL SHOCK HAZARD DISCONNECT POWER BEFORE SERVICING.

**A**  
Wires Connect if Option Not Used

(99) Wire Identification numbers for Bard use only.

|              | Factory | Field | Optional |
|--------------|---------|-------|----------|
| High Voltage |         |       |          |
| Low Voltage  |         |       |          |

4095-200