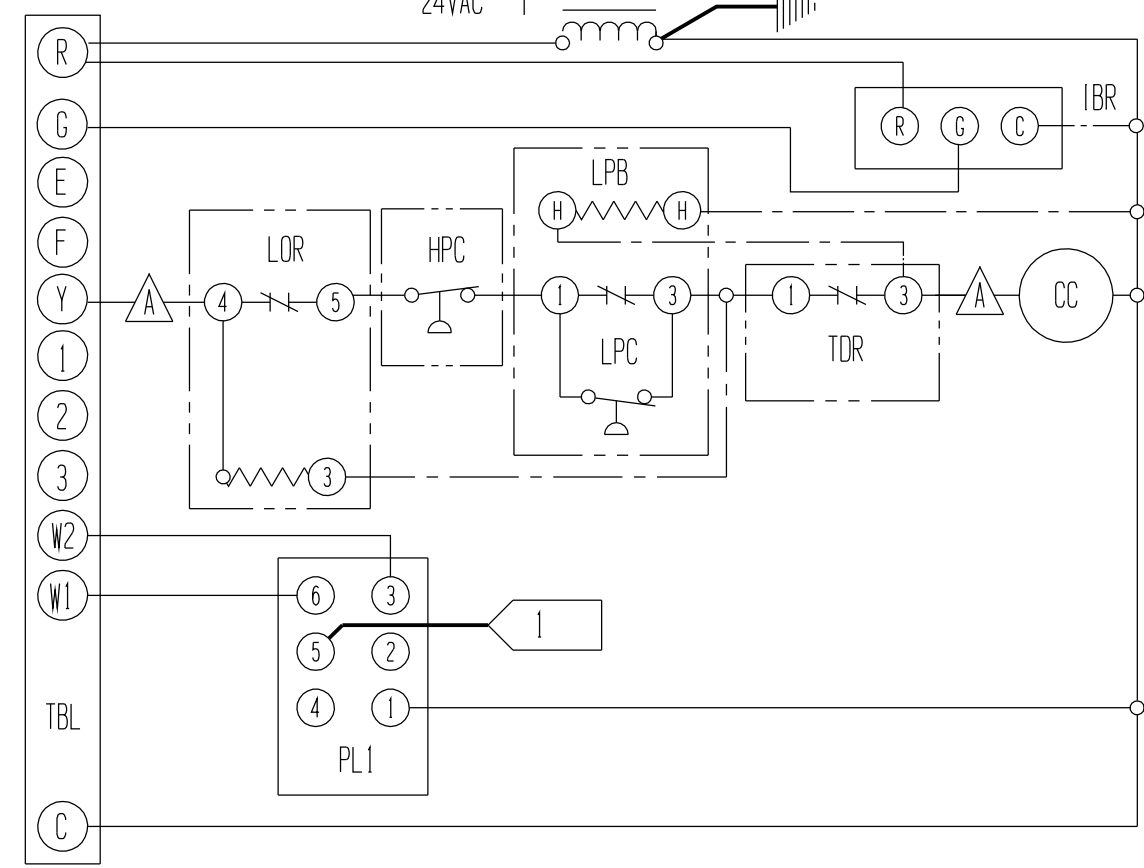
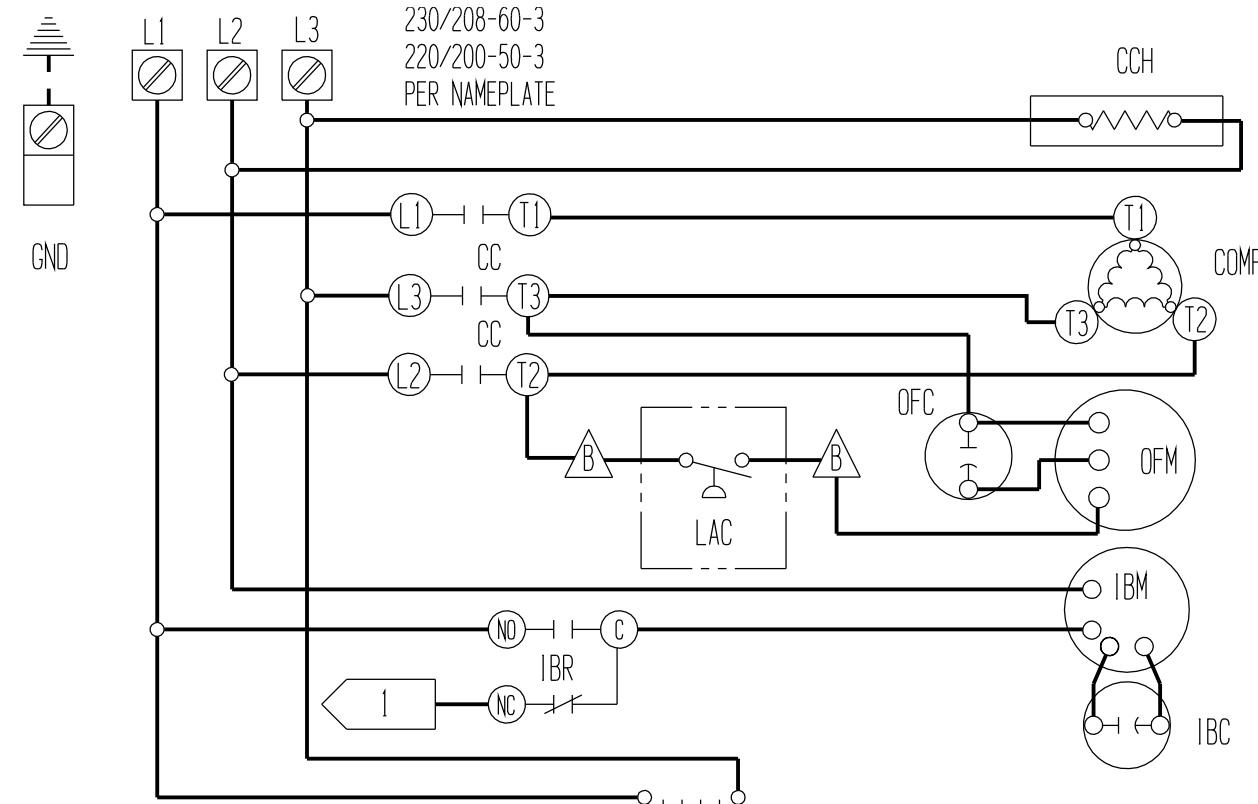


USE COPPER CONDUCTORS
ONLY SUITABLE FOR AT
LEAST 75° C



COMPONENT CODE			
CB1	CIRCUIT BREAKER #1	LAC	LOW AMBIENT CONTROL
CB2	CIRCUIT BREAKER #2	LOR	LOCK OUT RELAY
CC	COMPRESSOR CONTACTOR	LPB	LOW PRESSURE BYPASS
CCH	COMPRESSOR CRANKCASE HEATER	LPC	LOW PRESSURE CONTROL
COMP	COMPRESSOR	LS	LIMIT SWITCH
GND	EQUIPMENT GROUND	OFC	OUTDOOR FAN CAPACITOR
H1	HEAT STRIP #1	OFM	OUTDOOR FAN MOTOR
H2	HEAT STRIP #2	PL1	PLUG #1
HC1	HEATER CONTACTOR #1	SK	START KIT
HC2	HEATER CONTACTOR #2	T	TRANSFORMER
HPC	HIGH PRESSURE CONTROL	TB	TERMINAL BLOCK
IBC	INDOOR BLOWER CAPACITOR	TBL	LOW VOLTAGE TERMINAL BLOCK
IBM	INDOOR BLOWER MOTOR	TCO	THERMAL CUTOFF
IBR	INDOOR BLOWER RELAY	TDR	TIME DELAY RELAY

A, B E LABELED WIRES CONNECT IF NO OPTIONS USED.
 C MOVE RED WIRE TO 208V TAP FOR 208V OPERATION
 D RED (LOW) BLACK (HIGH) WHERE APPLICABLE

	FACTORY STD.	FIELD	OPTIONAL
HIGH VOLTAGE	<u>————</u>	<u>-----</u>	<u>-----</u>
LOW VOLTAGE	<u>————</u>	<u>-----</u>	<u>-----</u>
ACCESSORY	<u>————</u>	<u>-----</u>	<u>-----</u>

COLOR CODE							
BK	BLACK	Y	YELLOW	V	VIOLET	T	TAN
BR	BROWN	G	GREEN	(PR)	PURPLE	PK	PINK
R	RED	BL	BLUE	GY	GRAY	L	LAVENDER
O	ORANGE	W	WHITE	(S)	SLATE		

BARD MFG. CO.
4095-210 D