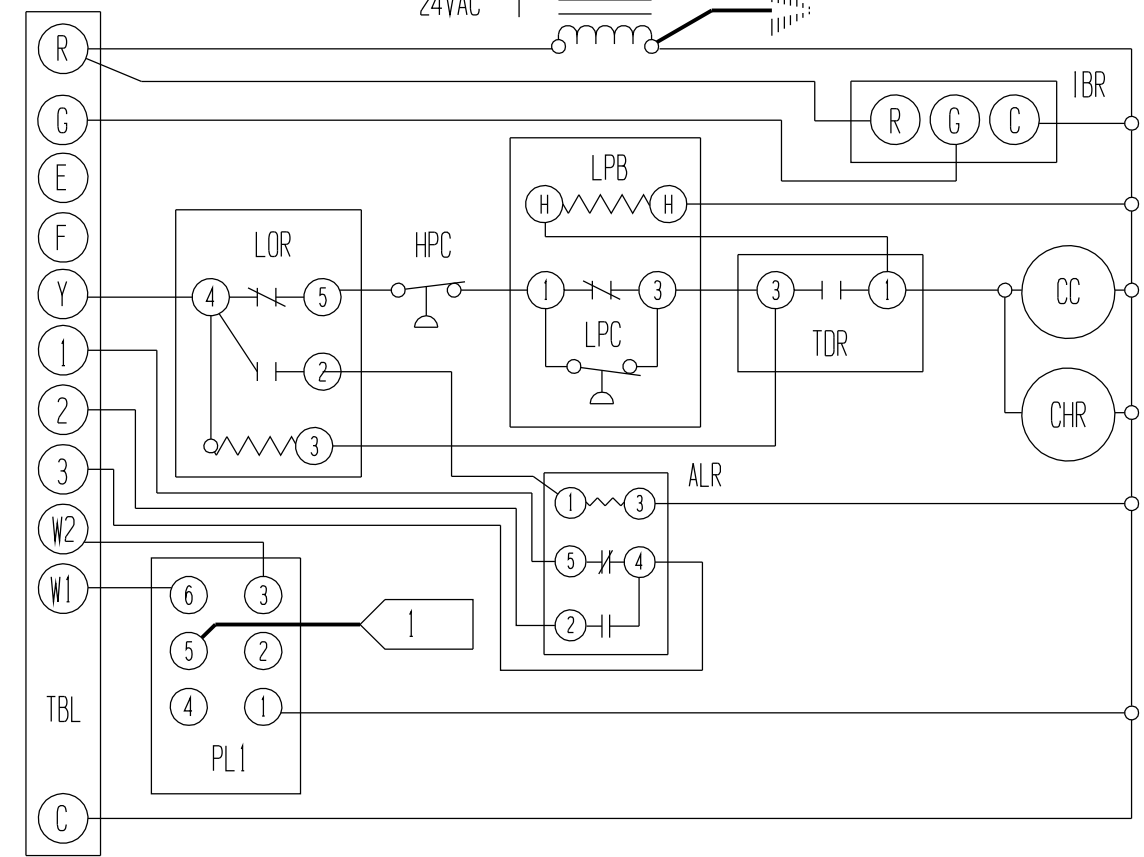
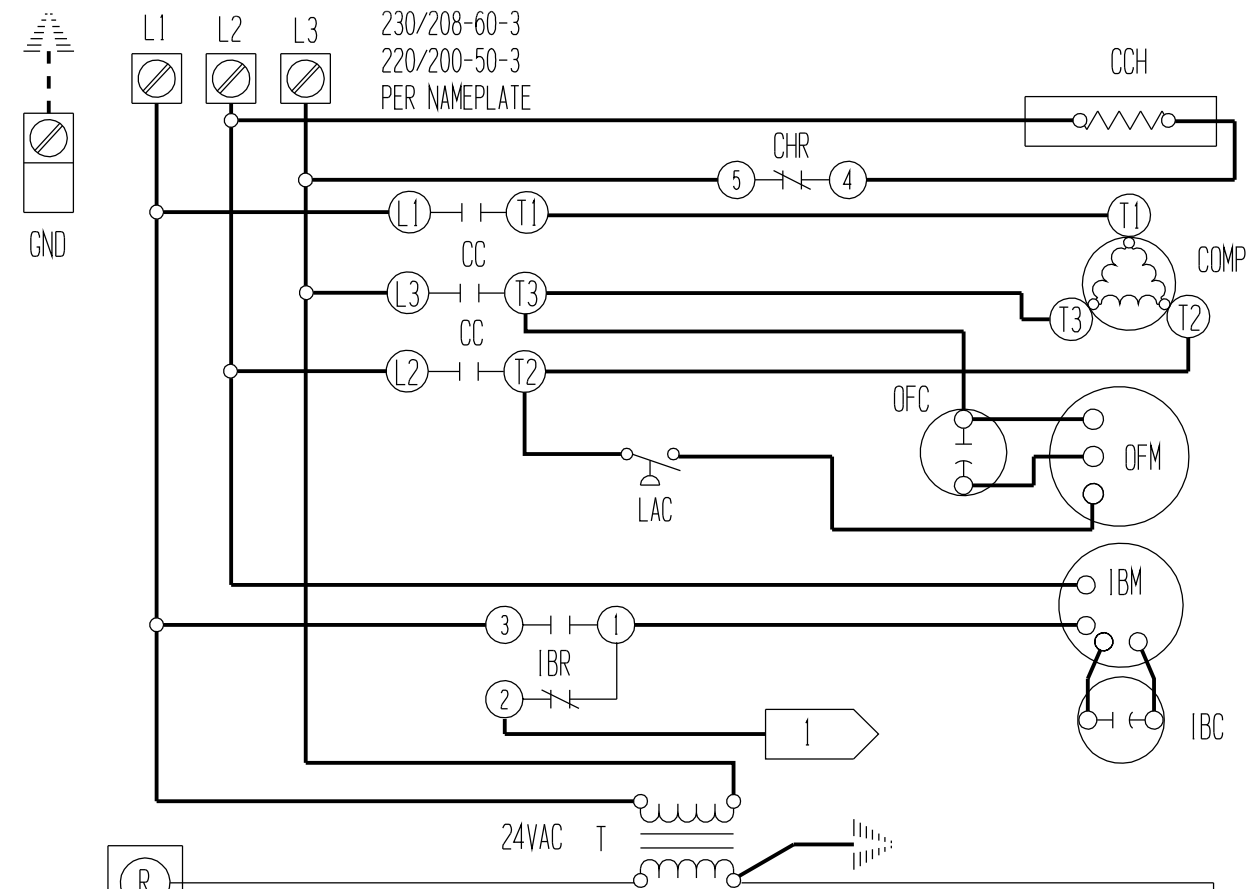


USE CLASS 1 WIRING FOR ALL CONNECTIONS TO THE LOW VOLTAGE TERMINAL BLOCK.  
ALARM RELAY CONTACT RATINGS  
125VA @24VAC.



MOVE RED WIRE TO 208V TAP FOR 208V OPERATION RED (LOW) BLACK (HIGH)

	FACTORY STD.	FIELD	OPTIONAL
HIGH VOLTAGE	————	-----	-----
LOW VOLTAGE	————	-----	-----
ACCESSORY	————	-----	-----

COLOR CODE							
BK	BLACK	Y	YELLOW	V	VIOLET	T	TAN
BR	BROWN	G	GREEN	(PR)	PURPLE	PK	PINK
R	RED	BL	BLUE	GY	GRAY	L	LAVENDER
O	ORANGE	W	WHITE	(S)	SLATE		

COMPONENT CODE			
ALR	ALARM RELAY	IBR	INDOOR BLOWER RELAY
CB1	CIRCUIT BREAKER #1	LAC	LOW AMBIENT CONTROL
CB2	CIRCUIT BREAKER #2	LOR	LOCK OUT RELAY
CC	COMPRESSOR CONTACTOR	LPB	LOW PRESSURE BYPASS
COMP	COMPRESSOR	LPC	LOW PRESSURE CONTROL
DCC	DUAL CAN CAPACITOR	LS	LIMIT SWITCH
GND	EQUIPMENT GROUND	OFM	OUTDOOR FAN MOTOR
H1	HEAT STRIP #1	PL1	PLUG #1
H2	HEAT STRIP #2	SK	START KIT
HC1	HEATER CONTACTOR #1	T	TRANSFORMER
HC2	HEATER CONTACTOR #2	TB	TERMINAL BLOCK
HPC	HIGH PRESSURE CONTROL	TBL	LOW VOLTAGE TERMINAL BLOCK
IBC	INDOOR BLOWER CAPACITOR	TCO	THERMAL CUTOFF
		TDR	TIME DELAY RELAY

**BARD MFG. CO.**  
4095-226