

USE COPPER CONDUCTORS
ONLY SUITABLE FOR AT
LEAST 75° C

COMPONENT CODE

ALR	ALARM RELAY	HSS	HIGH SPEED SOLENOID
CB1	CIRCUIT BREAKER #1	LAC	LOW AMBIENT CONTROL
CB2	CIRCUIT BREAKER #2	LBL	LINE BREAK LIMIT
CC	COMPRESSOR CONTACTOR	LPC	LOW PRESSURE CONTROL
CCH	CRANKCASE HEATER	LS	LIMIT SWITCH
CCM	COMPRESSOR CONTROL MODULE	DFC	OUTDOOR FAN CAPACITOR
CHR	CRANKCASE HEATER RELAY	OFM	OUTDOOR FAN MOTOR
COMP	COMPRESSOR	PM	PHASE MONITOR
GND	EQUIPMENT GROUND	PTCR	PART TIME CAP. RELAY
H1	HEAT STRIP #1	P1	ACCESSORY PLUG #1
H2	HEAT STRIP #2	P2	ACCESSORY PLUG #2
HC1	HEATER CONTACTOR #1	T	TRANSFORMER
HC2	HEATER CONTACTOR #2	TB, TB2	TERMINAL BLOCK
HPC	HIGH PRESSURE CONTROL	TBL	LOW VOLTAGE TERMINAL BLOCK

⚠️ LABELED WIRES CONNECT
IF NO OPTIONS USED.

⚠️ MOVE RED WIRE TO 208V
TAP FOR 208V OPERATION

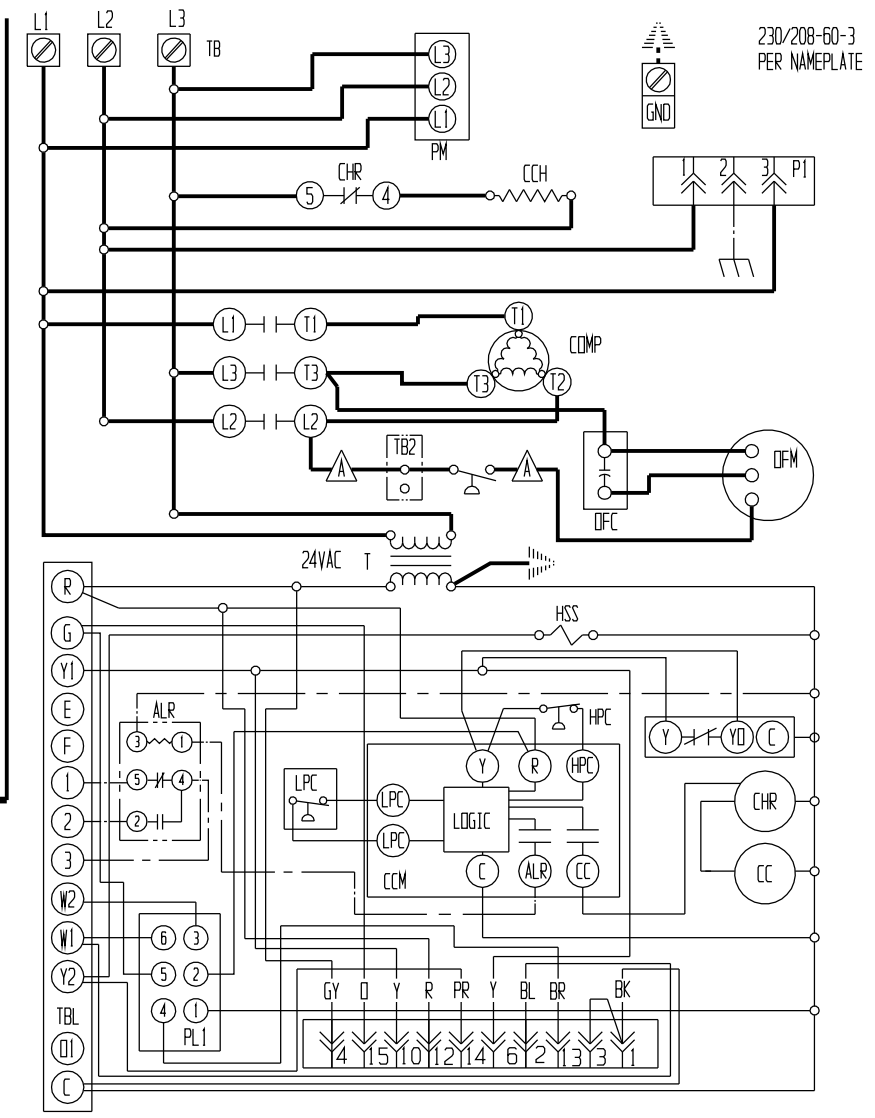
⚠️ IBM TIME DELAY DISABLE

	FACTORY STD.	FIELD	OPTIONAL
HIGH VOLTAGE	————	----	-----
LOW VOLTAGE	————	----	-----
ACCESSORY	————	----	-----

COLOR CODE			
BK	BLACK	Y	YELLOW
BR	BROWN	G	GREEN
R	RED	BL	BLUE
O	ORANGE	W	WHITE
V	VIOLET	(PR)	PURPLE
GY	GRAY	(S)	SLATE
T	TAN	PK	PINK
L	LAVENDER		

BARD MFG. CO.

4095-241 A



230/208-60-3
PER NAMEPLATE