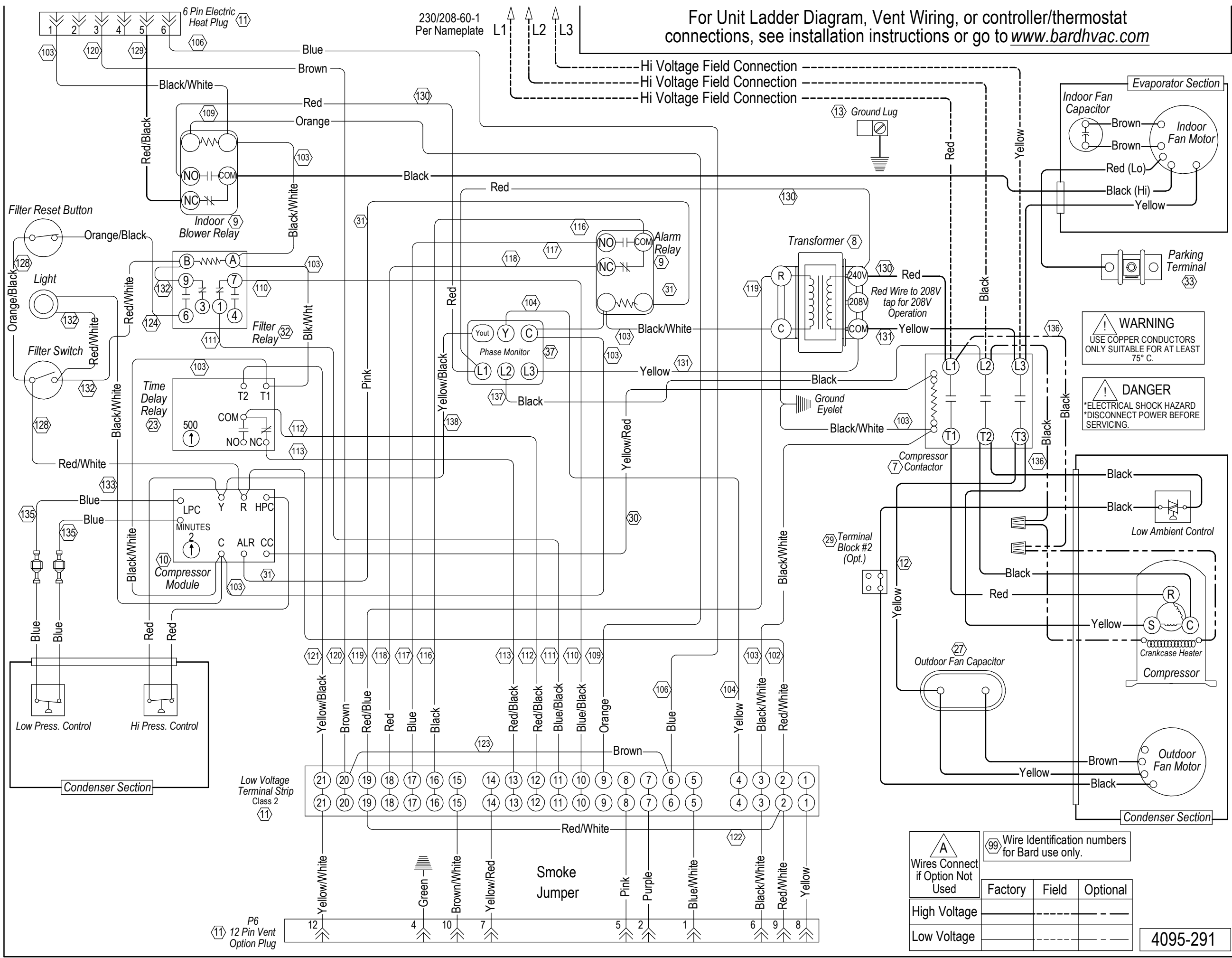


For Unit Ladder Diagram, Vent Wiring, or controller/thermostat connections, see installation instructions or go to www.bardhvac.com



WARNING
USE COPPER CONDUCTORS
ONLY SUITABLE FOR AT LEAST
75° C.

DANGER
*ELECTRICAL SHOCK HAZARD
*DISCONNECT POWER BEFORE
SERVICING.

 Wires Connect if Option Not Used	Wire Identification numbers for Bard use only.		
	Factory	Field	Optional
High Voltage			
Low Voltage			

4095-291