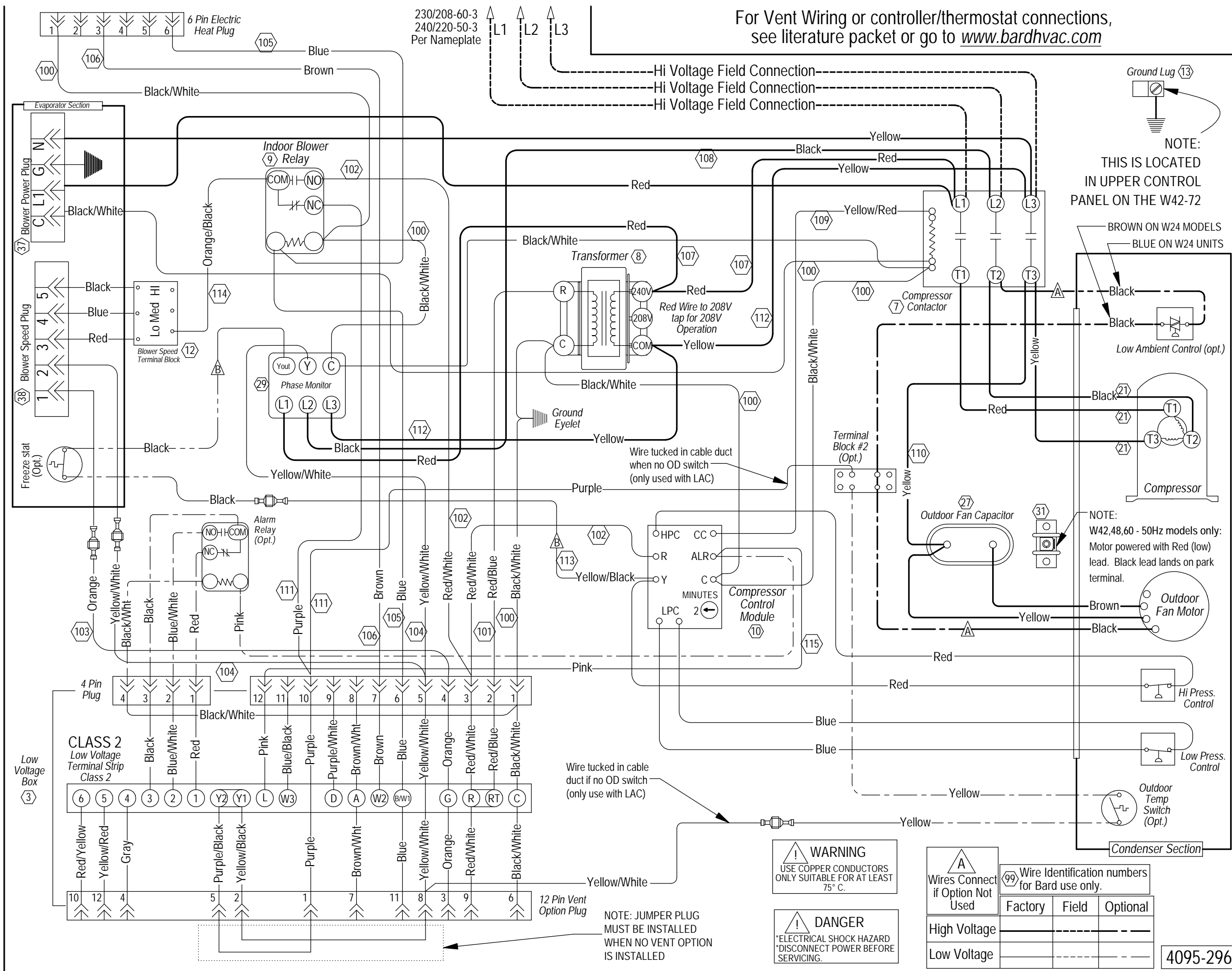


For Vent Wiring or controller/thermostat connections, see literature packet or go to [www.bardhvac.com](http://www.bardhvac.com)



230/208-60-3  
240/220-50-3  
Per Nameplate

L1 L2 L3

Ground Lug (13)

NOTE:  
THIS IS LOCATED  
IN UPPER CONTROL  
PANEL ON THE W42-72

BROWN ON W24 MODELS  
BLUE ON W24 UNITS

Low Ambient Control (opt.)

Compressor

NOTE:  
W42,48,60 - 50Hz models only:  
Motor powered with Red (low)  
lead. Black lead lands on park  
terminal.

Outdoor Fan Motor

Hi Press. Control

Low Press. Control

Outdoor Temp Switch (Opt.)

Condenser Section

Wire tucked in cable duct  
when no OD switch  
(only used with LAC)

Wire tucked in cable  
duct if no OD switch  
(only use with LAC)

NOTE: JUMPER PLUG  
MUST BE INSTALLED  
WHEN NO VENT OPTION  
IS INSTALLED

**WARNING**  
USE COPPER CONDUCTORS  
ONLY SUITABLE FOR AT LEAST  
75° C.

**DANGER**  
\*ELECTRICAL SHOCK HAZARD  
\*DISCONNECT POWER BEFORE  
SERVICING.

**A**  
Wires Connect  
if Option Not  
Used

Wire Identification numbers  
for Bard use only.

	Factory	Field	Optional
High Voltage			
Low Voltage			

4095-296 G