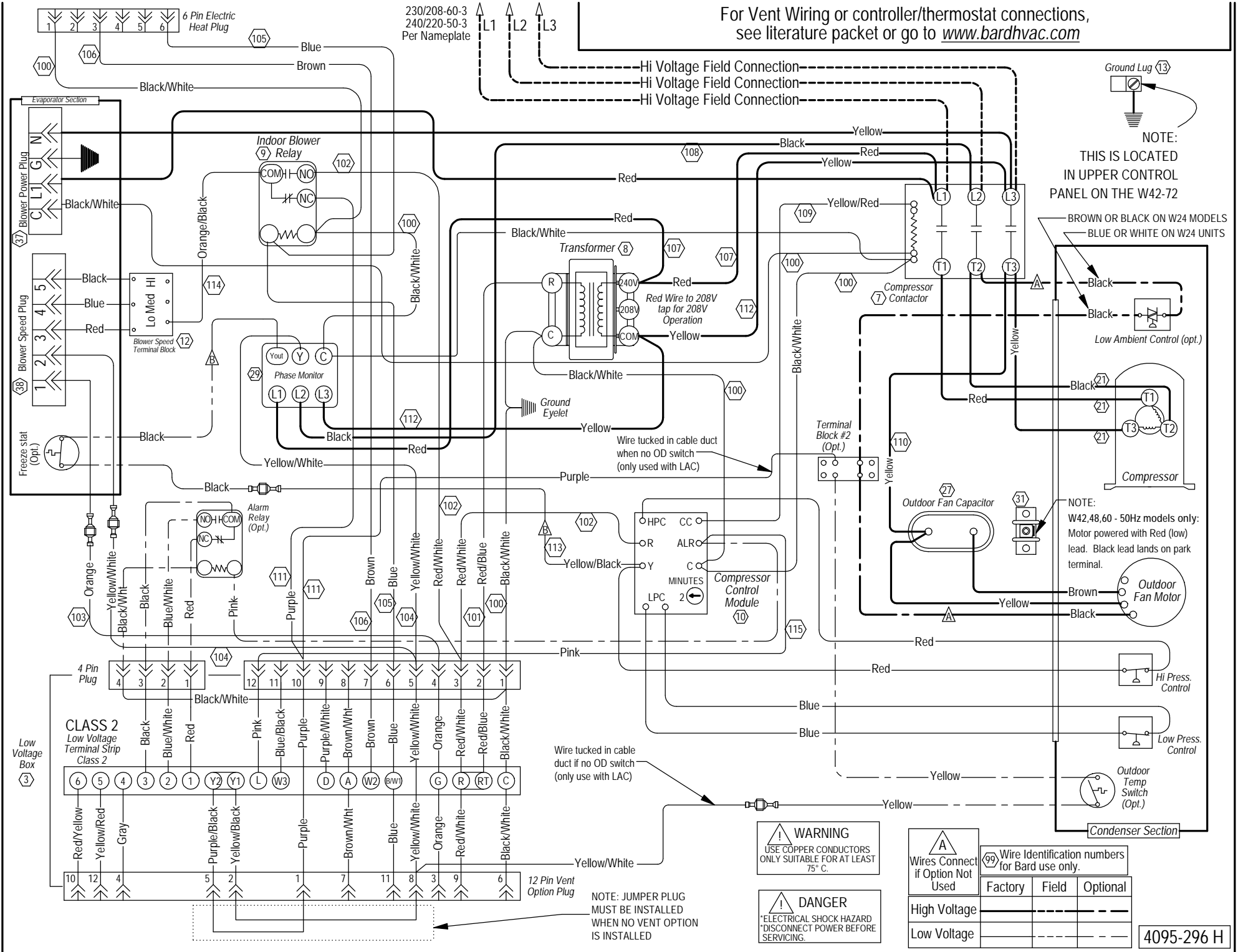


For Vent Wiring or controller/thermostat connections, see literature packet or go to www.bardhvac.com

230/208-60-3
240/220-50-3
Per Nameplate



NOTE:
THIS IS LOCATED
IN UPPER CONTROL
PANEL ON THE W42-72

BROWN OR BLACK ON W24 MODELS
BLUE OR WHITE ON W24 UNITS

NOTE:
W42,48,60 - 50Hz models only:
Motor powered with Red (low)
lead. Black lead lands on park
terminal.

NOTE: JUMPER PLUG
MUST BE INSTALLED
WHEN NO VENT OPTION
IS INSTALLED

WARNING
USE COPPER CONDUCTORS
ONLY SUITABLE FOR AT LEAST
75° C.

DANGER
ELECTRICAL SHOCK HAZARD
DISCONNECT POWER BEFORE
SERVICING.

A
Wires Connect
if Option Not
Used

High Voltage			
Low Voltage			

99 Wire Identification numbers
for Bard use only.

	Factory	Field	Optional
High Voltage			
Low Voltage			

4095-296 H