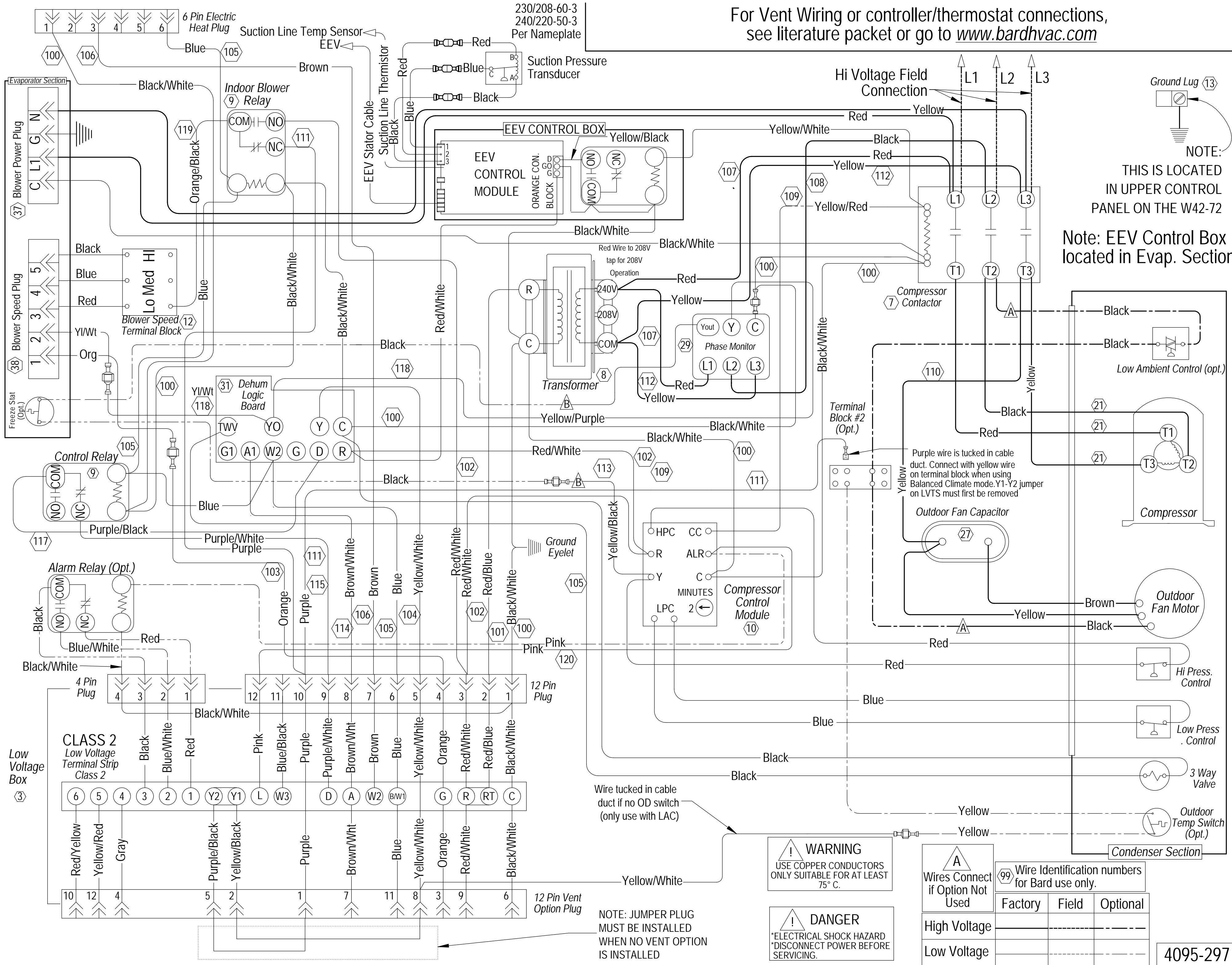


For Vent Wiring or controller/thermostat connections, see literature packet or go to www.bardhvac.com



NOTE:
THIS IS LOCATED
IN UPPER CONTROL
PANEL ON THE W42-72

Note: EEV Control Box
located in Evap. Section

Purple wire is tucked in cable duct. Connect with yellow wire on terminal block when using Balanced Climate mode. Y1-Y2 jumper on LVTS must first be removed

Wire tucked in cable duct if no OD switch (only use with LAC)

WARNING
USE COPPER CONDUCTORS
ONLY SUITABLE FOR AT LEAST
75° C.

DANGER
*ELECTRICAL SHOCK HAZARD
*DISCONNECT POWER BEFORE
SERVICING.

A Wires Connect if Option Not Used	99 Wire Identification numbers for Bard use only.		
	Factory	Field	Optional
High Voltage			
Low Voltage			