

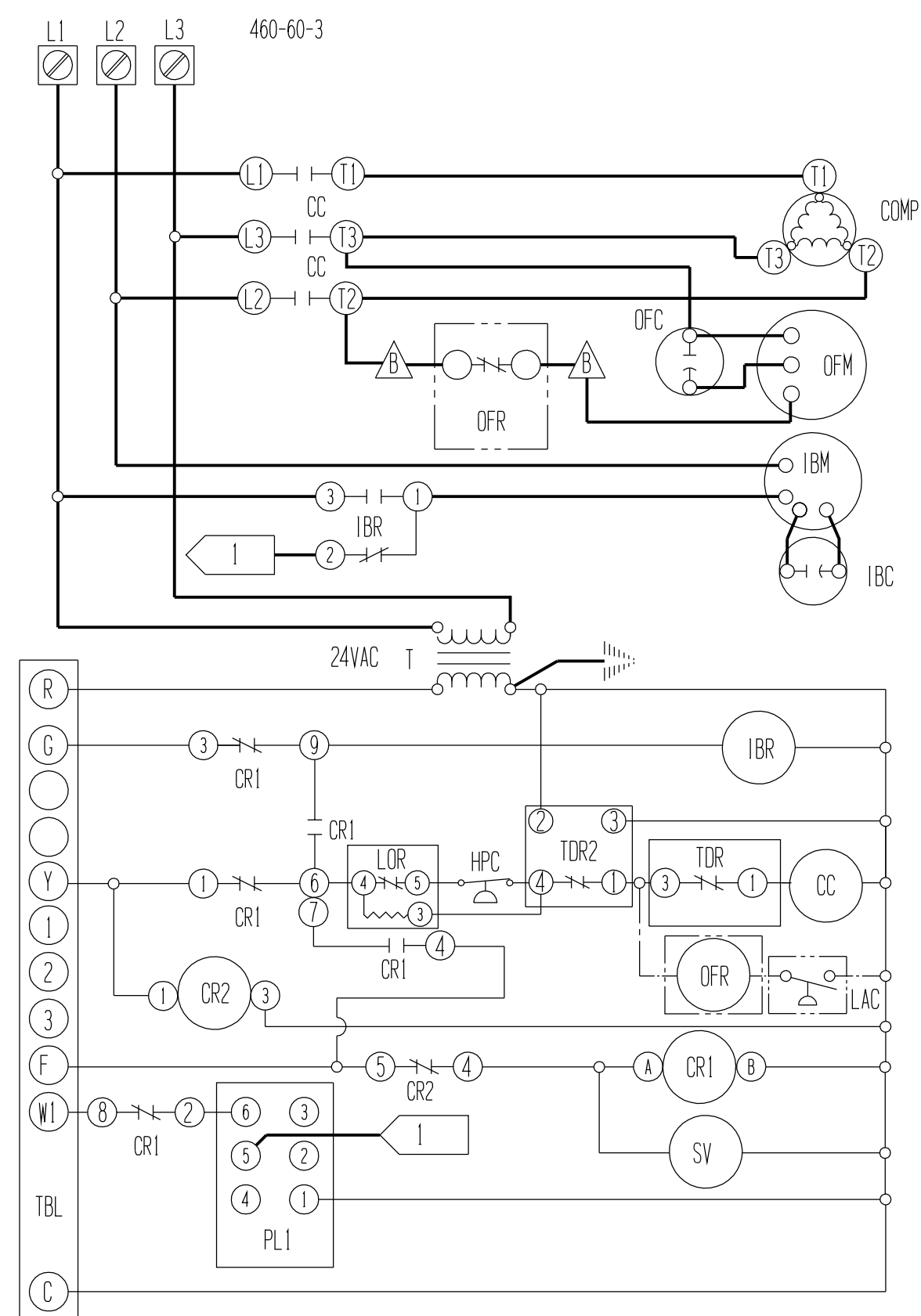
USE COPPER CONDUCTORS
ONLY SUITABLE FOR AT
LEAST 75° C

COMPONENT CODE			
CB1	CIRCUIT BREAKER #1	IBM	INDOOR BLOWER MOTOR
CB2	CIRCUIT BREAKER #2	IBR	INDOOR BLOWER RELAY
CC	COMPRESSOR CONTACTOR	LAC	LOW AMBIENT CONTROL
COMP	COMPRESSOR	LOR	LOCKOUT RELAY
CR1	CONTROL RELAY 1	LS	LIMIT SWITCH
CR2	CONTROL RELAY 2	OFM	OUTDOOR FAN MOTOR
DCC	DUAL CAN CAPACITOR	PL1	PLUG #1
GND	EQUIPMENT GROUND	SV	SOLENOID VALVE
H1	HEAT STRIP #1	T	TRANSFORMER
H2	HEAT STRIP #2	TB	TERMINAL BLOCK
HC1	HEATER CONTACTOR #1	TBL	LOW VOLTAGE TERMINAL BLOCK
HC2	HEATER CONTACTOR #2	TCO	THERMAL CUTOFF
HPC	HIGH PRESSURE CONTROL	TDR	TIME DELAY RELAY
IBC	INDOOR BLOWER CAPACITOR	TDR2	TIME DELAY RELAY #2

LABELED WIRES CONNECT IF NO OPTIONS USED.

FOR LOW SPEED CONNECT BLACK AND ORANGE WIRES TOGETHER AND INSULATE.
CONNECT RED WIRE TO TERMINAL 1 OF IBR

	FACTORY STD.	FIELD	OPTIONAL
HIGH VOLTAGE			
LOW VOLTAGE			
ACCESSORY			



COLOR CODE							
BK	BLACK	Y	YELLOW	V	VIOLET	T	TAN
BR	BROWN	G	GREEN	(PR)	PURPLE	PK	PINK
R	RED	BL	BLUE	GY	GRAY	L	LAVENDER
O	ORANGE	W	WHITE	(S)	SLATE		

BARD MFG. CO.
4095-316 D