

USE COPPER CONDUCTORS  
ONLY SUITABLE FOR AT  
LEAST 75° C

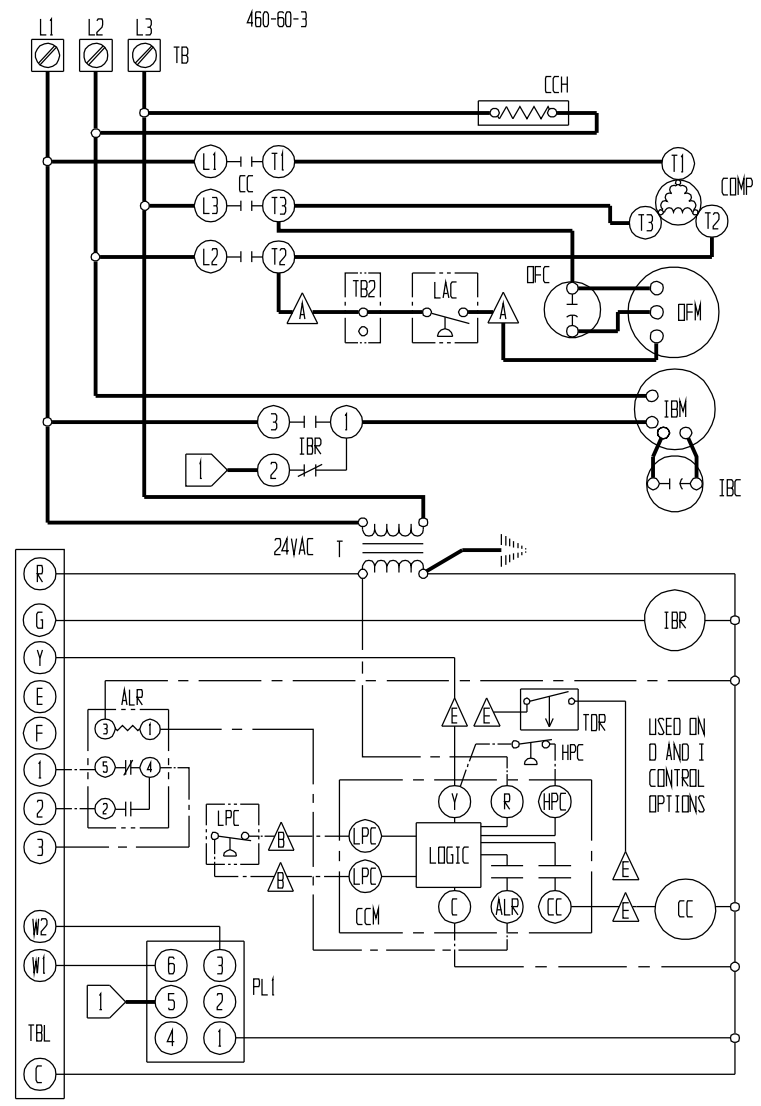
COMPONENT CODE			
ALR	ALARM RELAY	IBM	INDOOR BLOWER MOTOR
CB1	CIRCUIT BREAKER #1	IBR	INDOOR BLOWER RELAY
CB2	CIRCUIT BREAKER #2	LAC	LOW AMBIENT CONTROL
CC	COMPRESSOR CONTACTOR	LPC	LOW PRESSURE CONTROL
CCH	CRANKCASE HEATER	LS	LIMIT SWITCH
CCM	COMPRESSOR CONTROL MODULE	DFC	OUTDOOR FAN MOTOR
COMP	COMPRESSOR	OFM	OUTDOOR FAN MOTOR
GND	EQUIPMENT GROUND	PL1	PLUG #1
H1	HEAT STRIP #1	SK	START KIT
H2	HEAT STRIP #2	T	TRANSFORMER
HC1	HEATER CONTACTOR #1	TB, TB2	TERMINAL BLOCK
HC2	HEATER CONTACTOR #2	TBL	LOW VOLTAGE TERMINAL BLOCK
HPC	HIGH PRESSURE CONTROL	TCO	THERMAL CUTOFF
IBC	INDOOR BLOWER CAPACITOR	TDR	TIME DELAY RELAY



△ △ △ LABELED WIRES CONNECT IF NO OPTIONS USED.

△ FOR LOW SPEED CONNECT BLACK AND ORANGE WIRES TOGETHER AND INSULATE. CONNECT RED WIRE TO TERMINAL 1 OF IBR

	FACTORY STD.	FIELD	OPTIONAL
HIGH VOLTAGE	————	-----	-----
LOW VOLTAGE	————	-----	-----
ACCESSORY	————	-----	-----



COLOR CODE						
BK	BLACK	Y	YELLOW	V	VIOLET	T
BR	BROWN	G	GREEN	(PR)	PURPLE	PK
R	RED	BL	BLUE	GY	GRAY	L
O	ORANGE	W	WHITE	(S)	SLATE	

**BARD MFG. CO.**  
4095-319 D