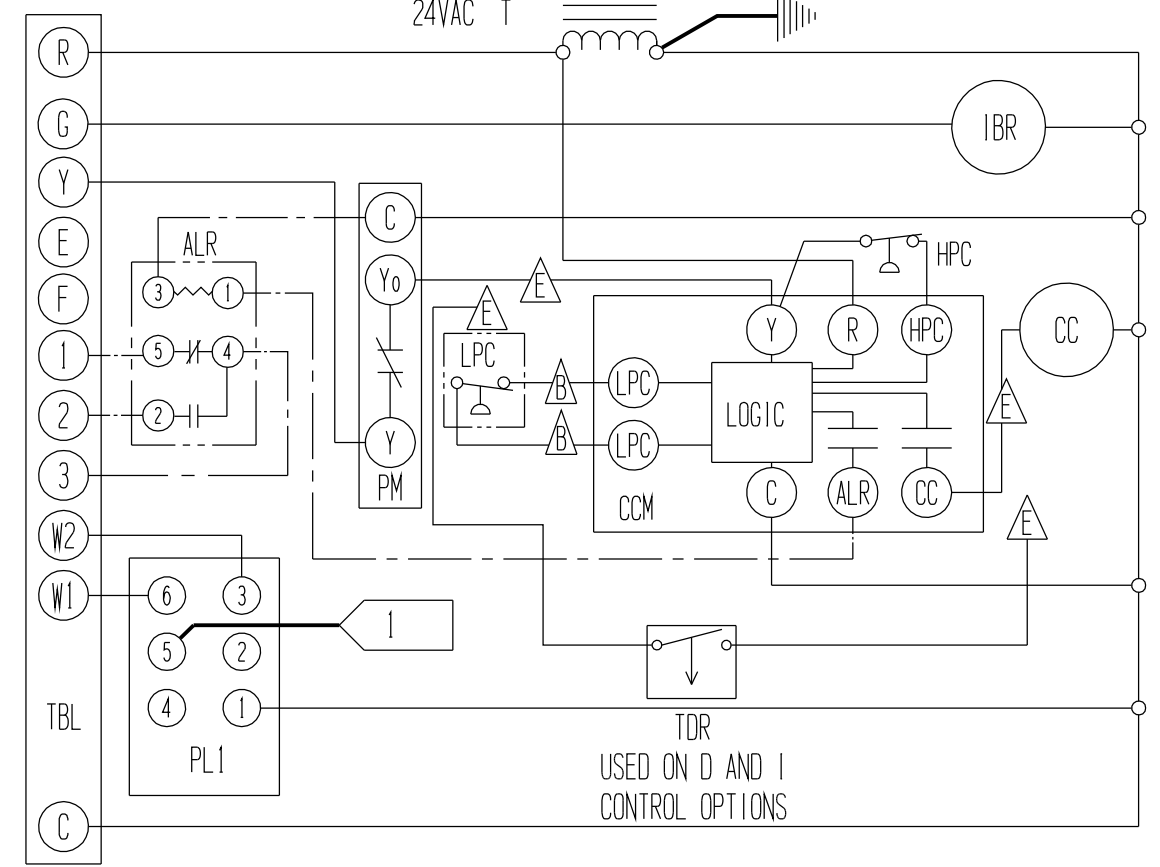
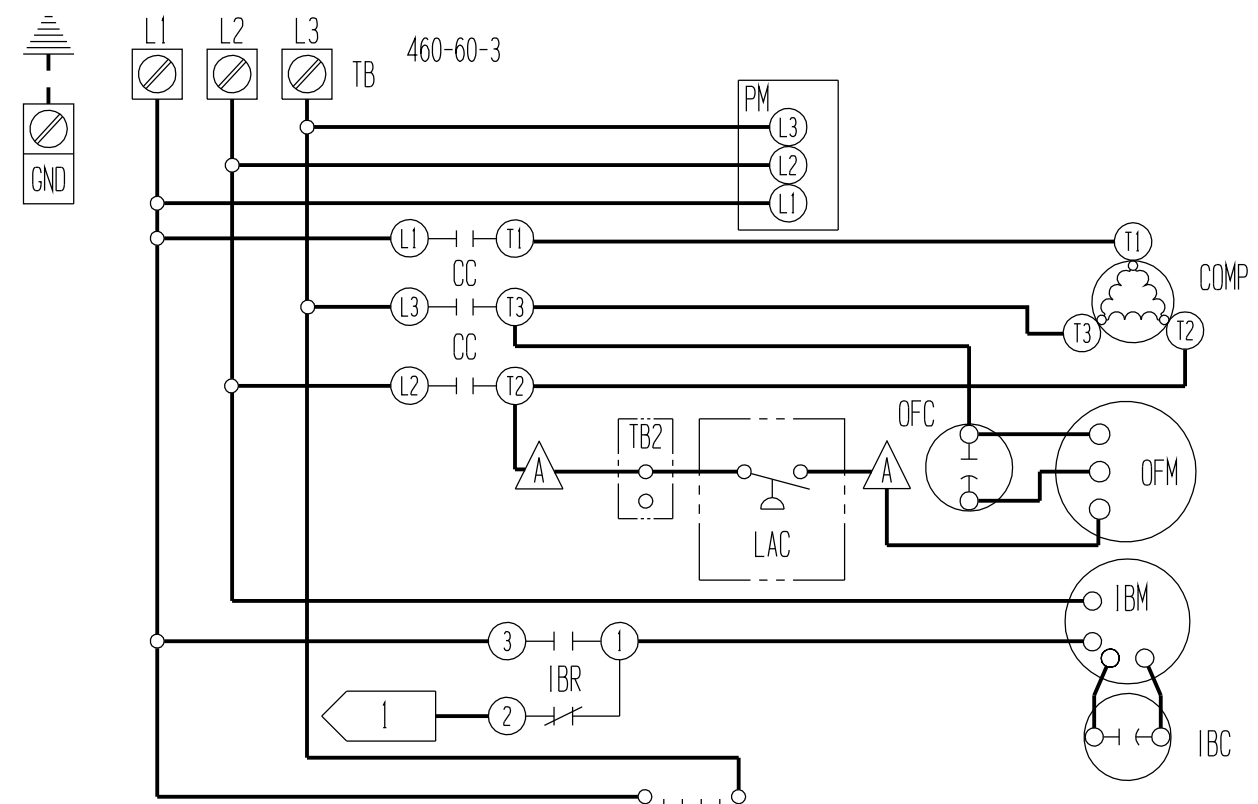
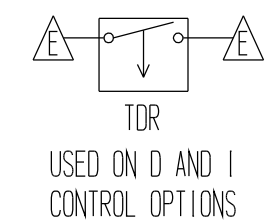


USE COPPER CONDUCTORS  
ONLY SUITABLE FOR AT  
LEAST 75° C



COMPONENT CODE			
ALR	ALARM RELAY	IBR	INDOOR BLOWER RELAY
CB1	CIRCUIT BREAKER #1	LAC	LOW AMBIENT CONTROL
CB2	CIRCUIT BREAKER #2	LPC	LOW PRESSURE CONTROL
CC	COMPRESSOR CONTACTOR	LS	LIMIT SWITCH
CCM	COMPRESSOR CONTROL MODULE	OFC	OUTDOOR FAN CAPACITOR
COMP	COMPRESSOR	OFM	OUTDOOR FAN MOTOR
GND	EQUIPMENT GROUND	PL1	PLUG #1
H1	HEAT STRIP #1	PM	PHASE MONITOR
H2	HEAT STRIP #2	T	TRANSFORMER
HC1	HEATER CONTACTOR #1	TB, TB2	TERMINAL BLOCK
HC2	HEATER CONTACTOR #2	TBL	LOW VOLTAGE TERMINAL BLOCK
HPC	HIGH PRESSURE CONTROL	TCO	THERMAL CUTOFF
IBC	INDOOR BLOWER CAPACITOR		
IBM	INDOOR BLOWER MOTOR		



**A**, **B**, LABELED WIRES CONNECT IF NO OPTIONS USED. **C** FOR LOW & MEDIUM SPEEDS CONNECT ORANGE TO BLACK. RED (LOW) OR BLUE (MEDIUM) TO T1 OF IBR. **D** RED (LOW) BLACK (HIGH) WERE APPLICABLE **E** RED 50 HZ OPERATION ONLY

	FACTORY STD.	FIELD	OPTIONAL
HIGH VOLTAGE	<u>        </u>	<u>        </u>	<u>        </u>
LOW VOLTAGE	<u>        </u>	<u>        </u>	<u>        </u>
ACCESSORY	<u>        </u>	<u>        </u>	<u>        </u>

COLOR CODE							
BK	BLACK	Y	YELLOW	V	VIOLET	T	TAN
BR	BROWN	G	GREEN	(PR)	PURPLE	PK	PINK
R	RED	BL	BLUE	GY	GRAY	L	LAVENDER
O	ORANGE	W	WHITE	(S)	SLATE		

**BARD MFG. CO.**  
4095-321