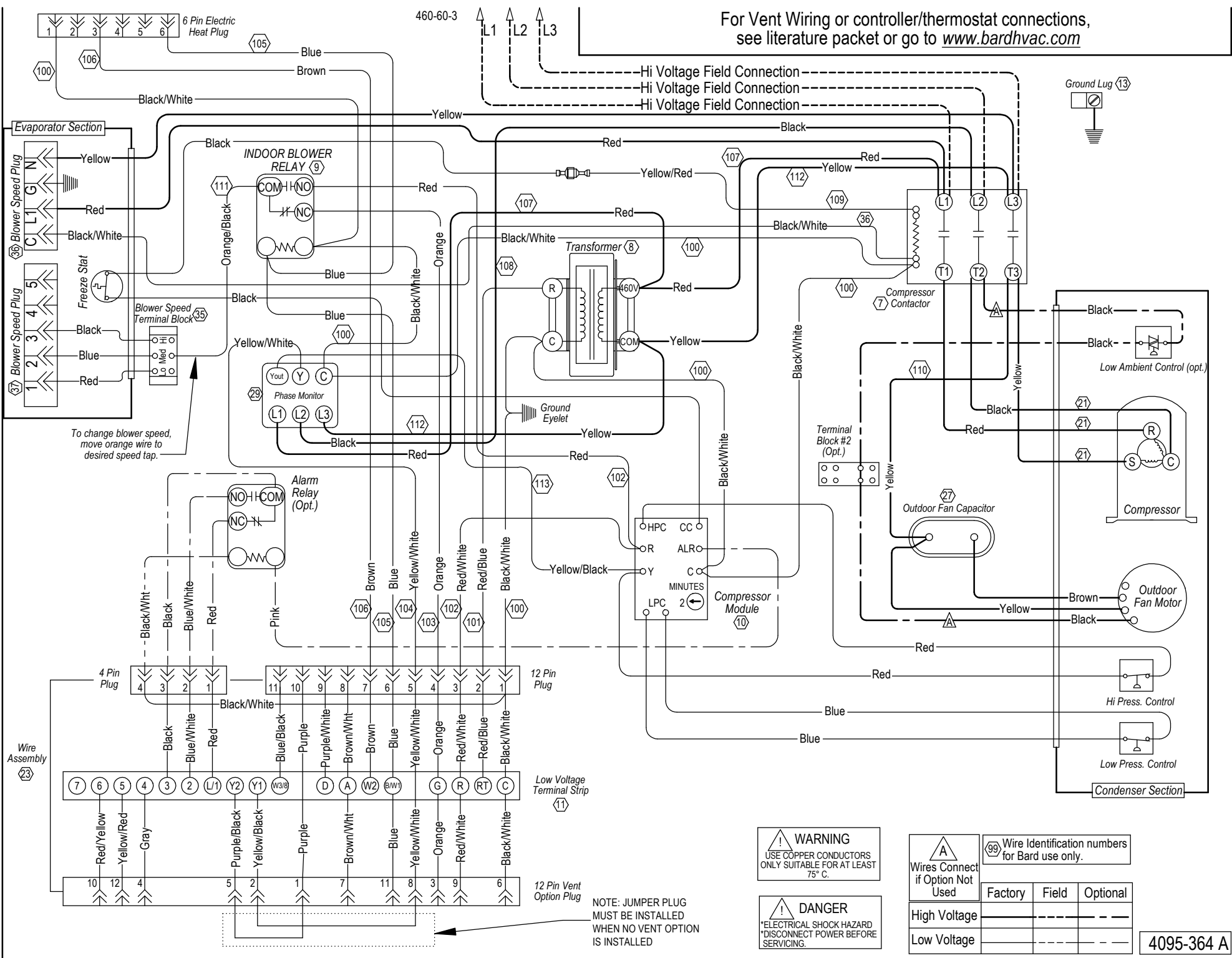


For Vent Wiring or controller/thermostat connections, see literature packet or go to www.bardhvac.com



To change blower speed, move orange wire to desired speed tap.

NOTE: JUMPER PLUG MUST BE INSTALLED WHEN NO VENT OPTION IS INSTALLED

WARNING
USE COPPER CONDUCTORS
ONLY SUITABLE FOR AT LEAST
75° C.

DANGER
ELECTRICAL SHOCK HAZARD
DISCONNECT POWER BEFORE
SERVICING.

A
Wires Connect
if Option Not
Used

99 Wire Identification numbers
for Bard use only.

	Factory	Field	Optional
High Voltage			
Low Voltage			

4095-364 A