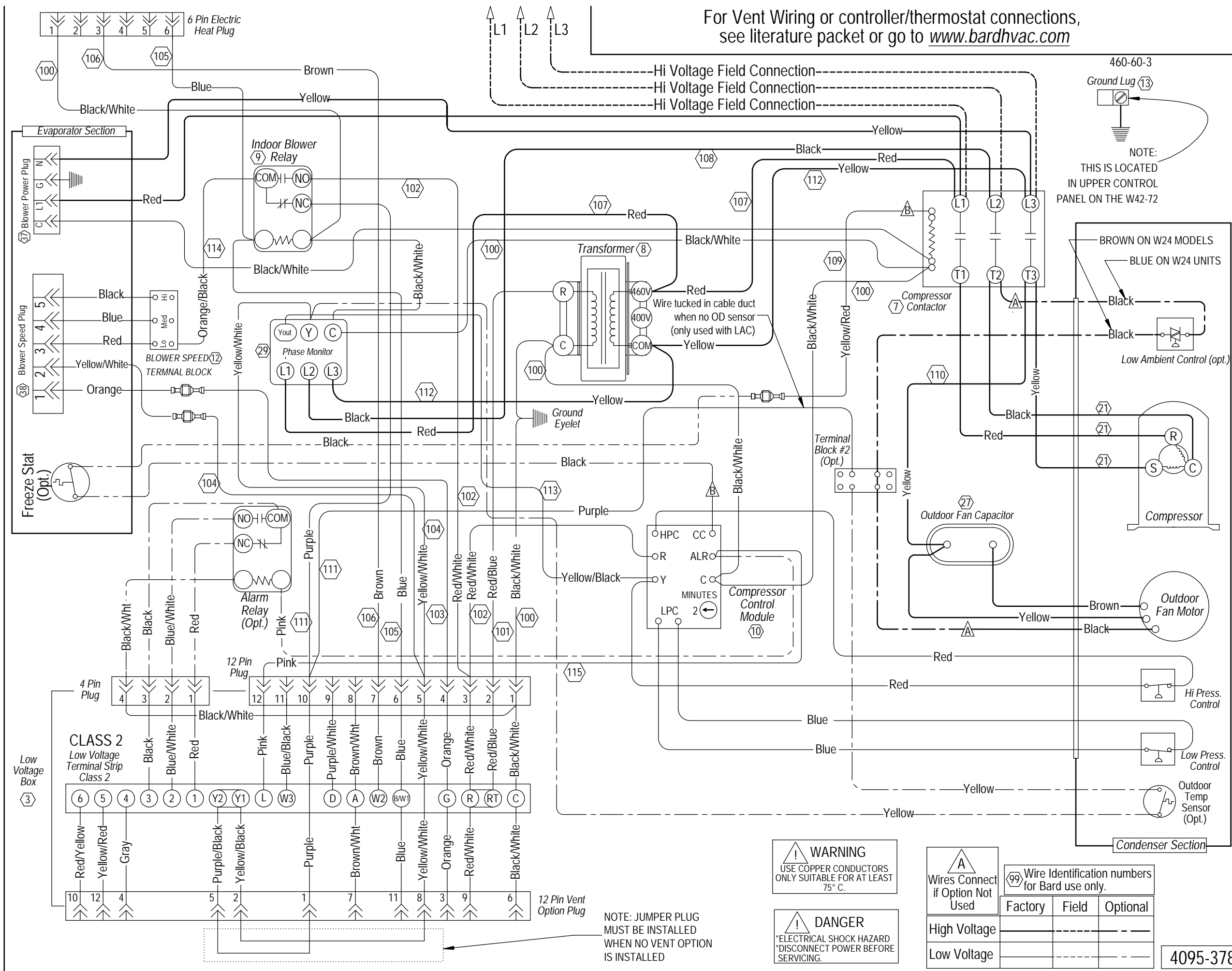


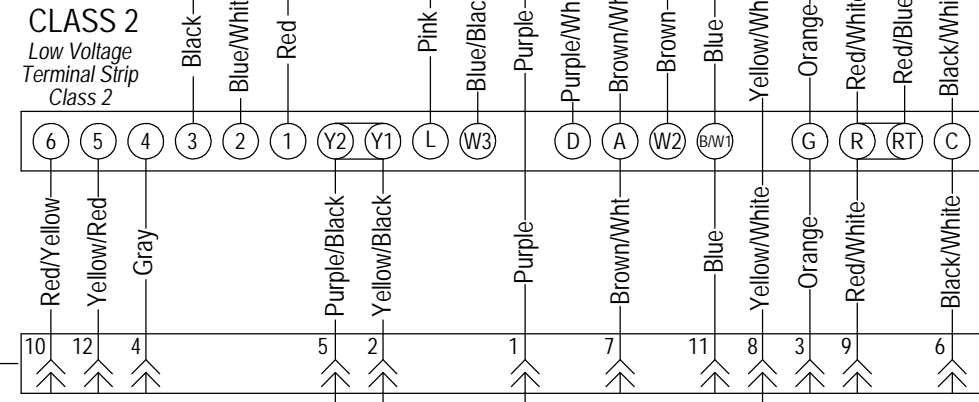
For Vent Wiring or controller/thermostat connections, see literature packet or go to [www.bardhvac.com](http://www.bardhvac.com)



460-60-3  
Ground Lug (13)  
NOTE:  
THIS IS LOCATED  
IN UPPER CONTROL  
PANEL ON THE W42-72

BROWN ON W24 MODELS  
BLUE ON W24 UNITS  
Black  
Black  
Low Ambient Control (opt.)

Low Voltage Box (3)



**WARNING**  
USE COPPER CONDUCTORS  
ONLY SUITABLE FOR AT LEAST  
75° C.

**DANGER**  
\*ELECTRICAL SHOCK HAZARD  
\*DISCONNECT POWER BEFORE  
SERVICING.

Wires Connect if Option Not Used	Wire Identification numbers for Bard use only.		
	Factory	Field	Optional
High Voltage			
Low Voltage			

4095-378 C