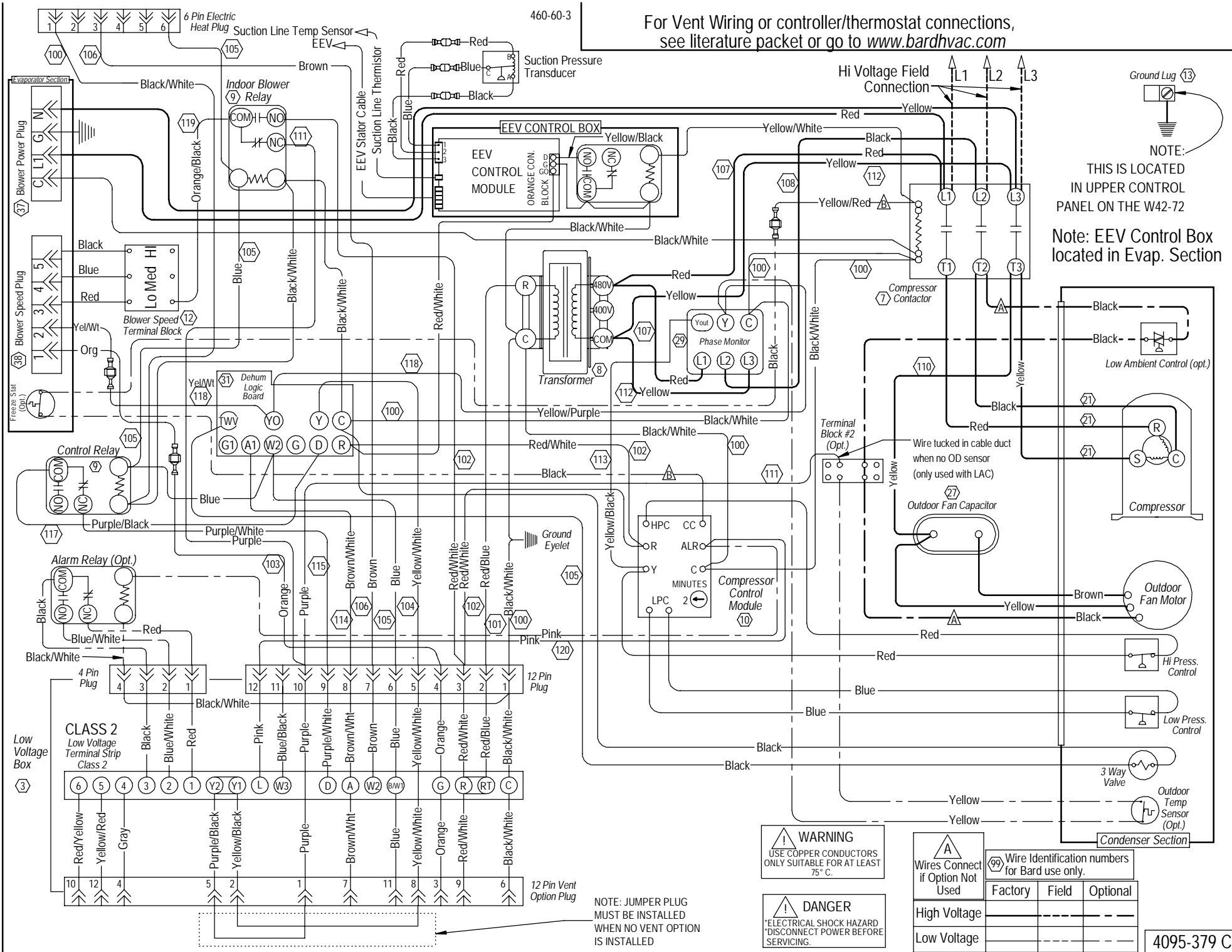


For Vent Wiring or controller/thermostat connections, see literature packet or go to www.bardhvac.com



NOTE:
THIS IS LOCATED
IN UPPER CONTROL
PANEL ON THE W42-72

Note: EEV Control Box
located in Evap. Section

NOTE: JUMPER PLUG
MUST BE INSTALLED
WHEN NO VENT OPTION
IS INSTALLED

WARNING
USE COPPER CONDUCTORS
ONLY SUITABLE FOR AT LEAST
75° C.

DANGER
ELECTRICAL SHOCK HAZARD
DISCONNECT POWER BEFORE
SERVICING.

Wires Connect if Option Not Used	99 Wire Identification numbers for Bard use only.		
	Factory	Field	Optional
High Voltage			
Low Voltage			

4095-379 C