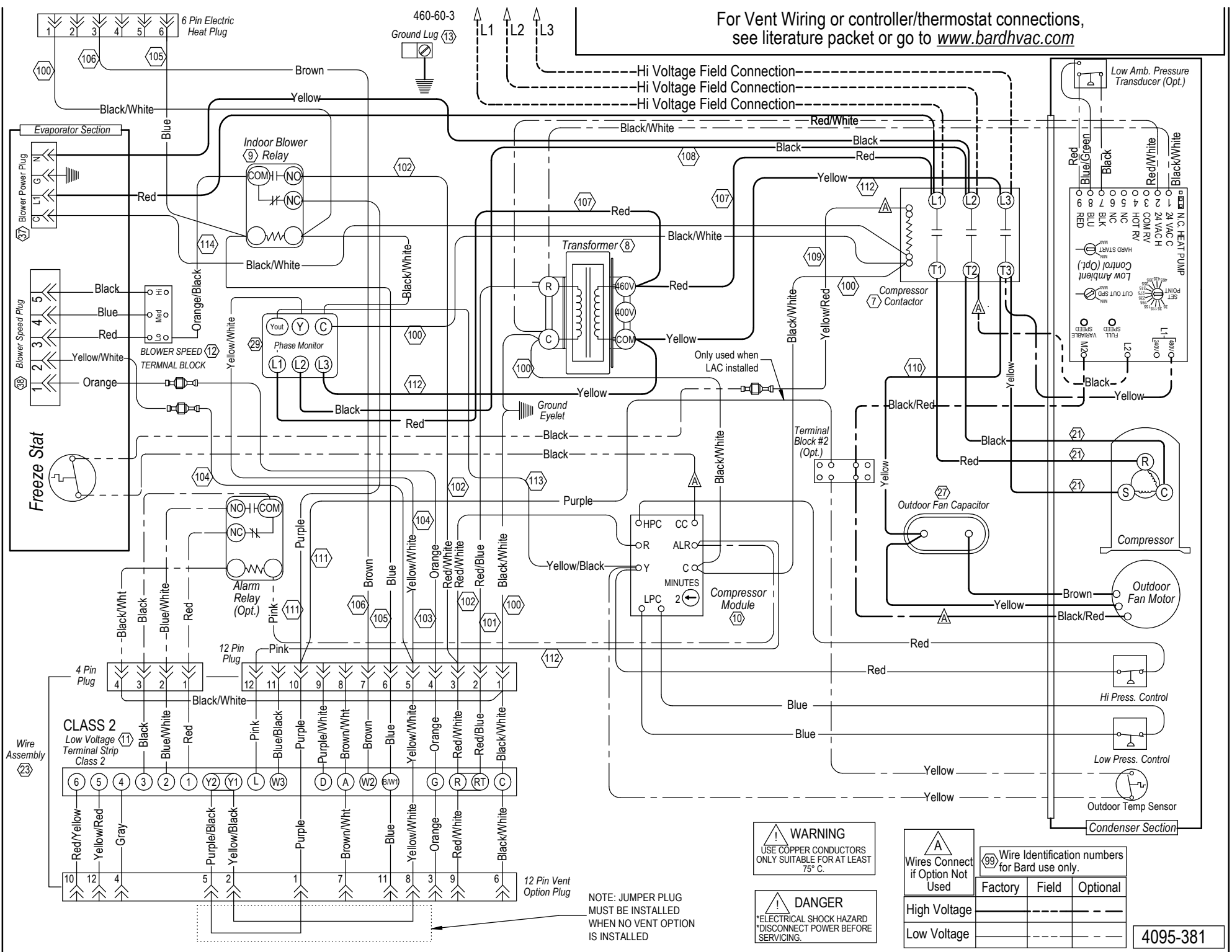


For Vent Wiring or controller/thermostat connections, see literature packet or go to [www.bardhvac.com](http://www.bardhvac.com)



**WARNING**  
USE COPPER CONDUCTORS  
ONLY SUITABLE FOR AT LEAST  
75° C.

**DANGER**  
ELECTRICAL SHOCK HAZARD  
DISCONNECT POWER BEFORE  
SERVICING.

**A**  
Wires Connect  
if Option Not  
Used

99 Wire Identification numbers  
for Bard use only.

	Factory	Field	Optional
High Voltage			
Low Voltage			

4095-381