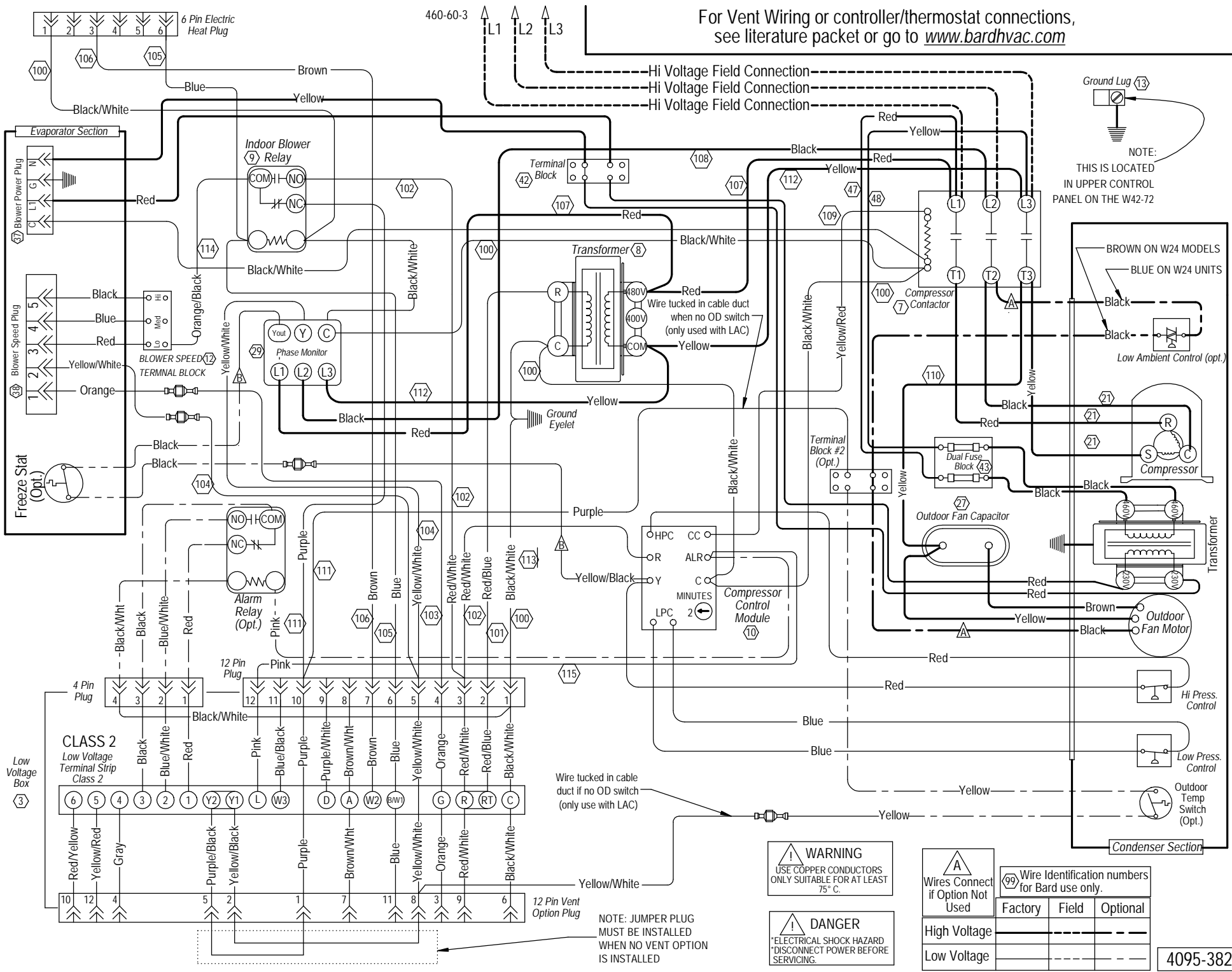


For Vent Wiring or controller/thermostat connections, see literature packet or go to www.bardhvac.com



| | Wire Identification numbers for Bard use only. | | |
|--------------|--|-------|----------|
| | Factory | Field | Optional |
| High Voltage | | | |
| Low Voltage | | | |