

USE COPPER CONDUCTORS  
ONLY SUITABLE FOR AT  
LEAST 75° C

415-50-3  
PER NAMEPLATE

USE CLASS 1 WIRING FOR ALL  
CONNECTIONS TO THE LOW VOLTAGE  
TERMINAL BLOCK.  
ALARM RELAY CONTACT RATINGS  
125VA @24VAC.

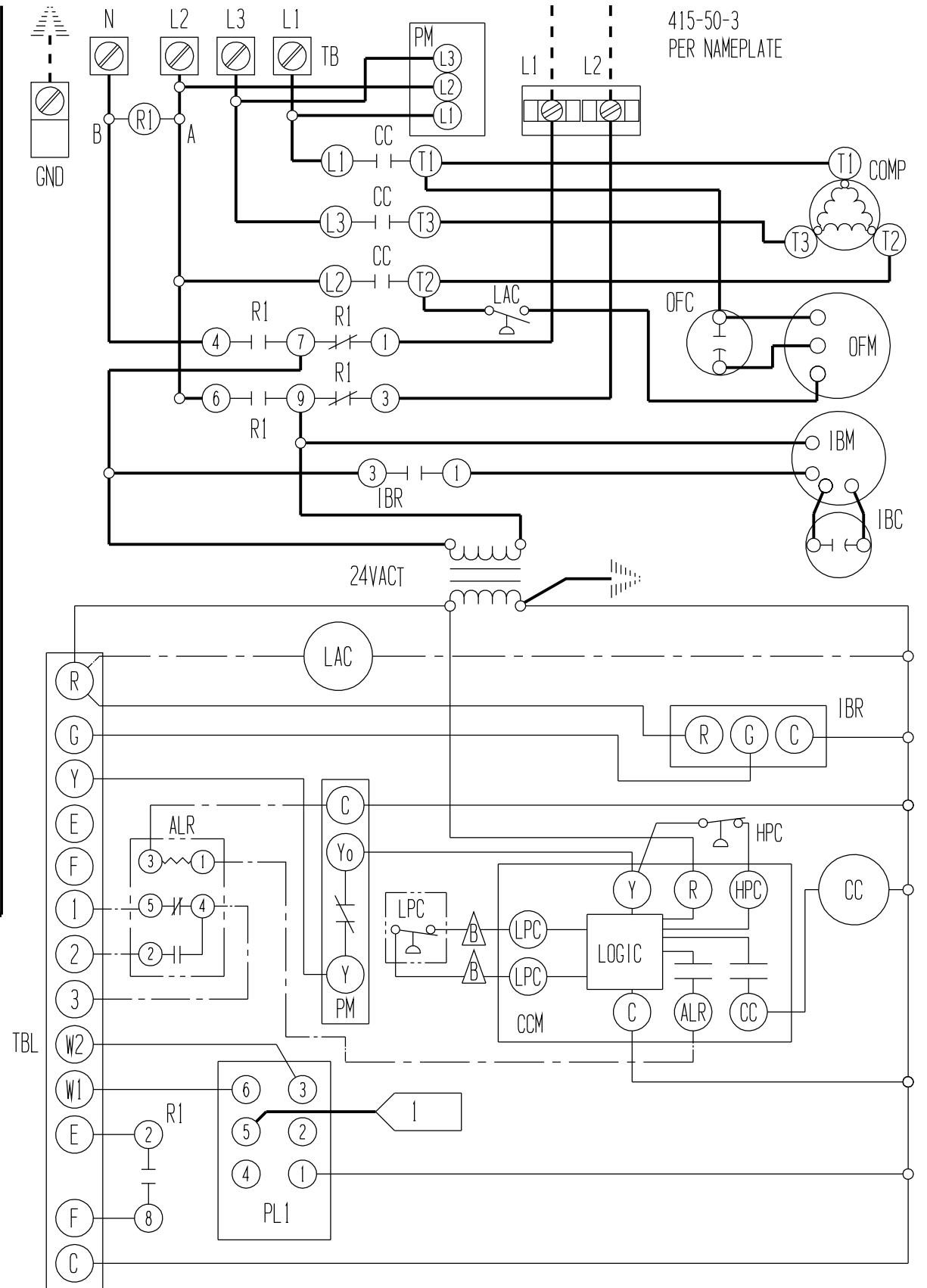
COMPONENT CODE			
ALR	ALARM RELAY	IBC	INDOOR BLOWER CAPACITOR
CB1	CIRCUIT BREAKER #1	IBR	INDOOR BLOWER RELAY
CB2	CIRCUIT BREAKER #2	LAC	LOW AMBIENT CONTROL
CC	COMPRESSOR CONTACTOR	LOR	LOCK OUT RELAY
R1	INVERTER CONTROL RELAY	LPB	LOW PRESSURE BYPASS
COMP	COMPRESSOR	LPC	LOW PRESSURE CONTROL
DCC	DUAL CAN CAPACITOR	LS	LIMIT SWITCH
GND	EQUIPMENT GROUND	OFM	OUTDOOR FAN MOTOR
H1	HEAT STRIP #1	PL1	PLUG #1
H2	HEAT STRIP #2	SK	START KIT
HC1	HEATER CONTACTOR #1	T	TRANSFORMER
HC2	HEATER CONTACTOR #2	TB	TERMINAL BLOCK
HPC	HIGH PRESSURE CONTROL	TBL	LOW VOLTAGE TERMINAL BLOCK
IBC	INDOOR BLOWER CAPACITOR	TCO	THERMAL CUTOFF
		TDR	TIME DELAY RELAY

MOVE BOTH WIRES TO 208V TAP FOR 208V OPERATION RED (LOW) BLACK (HIGH)

	FACTORY STD.	FIELD	OPTIONAL
HIGH VOLTAGE			
LOW VOLTAGE			
ACCESSORY			

COLOR CODE						
BK	BLACK	Y	YELLOW	V	VIOLET	T
BR	BROWN	G	GREEN	(PR)	PURPLE	PK
R	RED	BL	BLUE	GY	GRAY	L
O	ORANGE	W	WHITE	(S)	SLATE	

**BARD MFG. CO.**  
4095-626



415-50-3  
PER NAMEPLATE