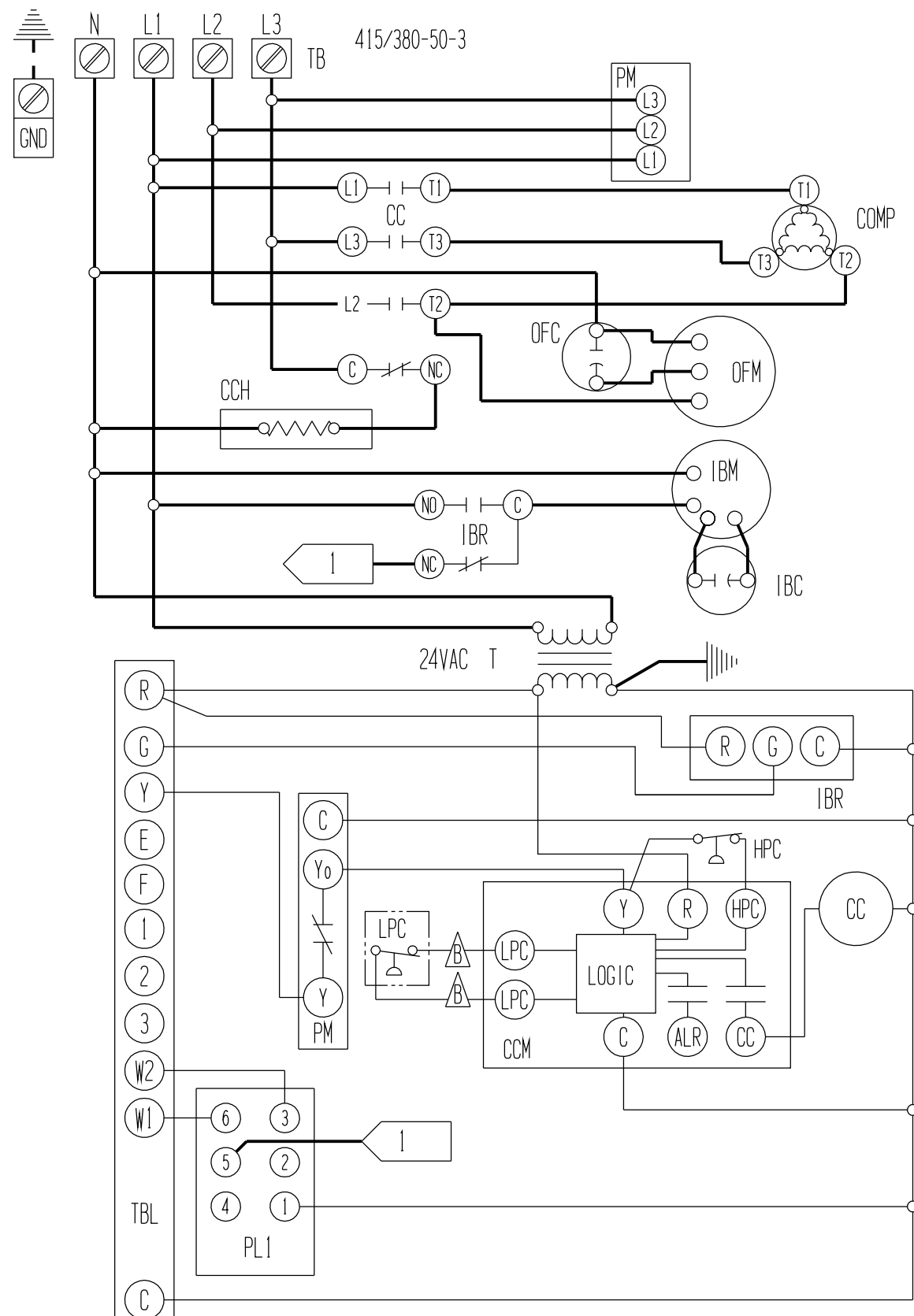


USE COPPER CONDUCTORS  
ONLY SUITABLE FOR AT  
LEAST 75° C



COMPONENT CODE

CB1	CIRCUIT BREAKER #1	IBM	INDOOR BLOWER MOTOR
CB2	CIRCUIT BREAKER #2	IBR	INDOOR BLOWER RELAY
CC	COMPRESSOR CONTACTOR	LPC	LOW PRESSURE CONTROL
CCH	CRANKCASE HEATER	LS	LIMIT SWITCH
CCM	COMPRESSOR CONTROL MODULE	OFC	OUTDOOR FAN CAPACITOR
COMP	COMPRESSOR	OFM	OUTDOOR FAN MOTOR
GND	EQUIPMENT GROUND	PL1	PLUG #1
H1	HEAT STRIP #1	PM	PHASE MONITOR
H2	HEAT STRIP #2	T	TRANSFORMER
HC1	HEATER CONTACTOR #1	TB	TERMINAL BLOCK
HC2	HEATER CONTACTOR #2	TBL	LOW VOLTAGE TERMINAL BLOCK
HPC	HIGH PRESSURE CONTROL	TCO	THERMAL CUTOFF
IBC	INDOOR BLOWER CAPACITOR		

⚠️, ⚠️ LABELED WIRES CONNECT IF NO OPTIONS USED ⚠️ MOVE RED WIRE TO 208V TAP FOR 380V OPERATION ⚠️ RED (LOW) BLACK (HIGH) HIGH (BLACK) SPEED TAP NOT WERE APPLICABLE TO BE USED ON 50 H2 MODELS

	FACTORY STD.	FIELD	OPTIONAL	COLOR CODE								
HIGH VOLTAGE	————	-----	-----	BK	BLACK	Y	YELLOW	V	VIOLET	T	TAN	BARD MFG. CO. 4095-627 B
LOW VOLTAGE	————	-----	-----	BR	BROWN	G	GREEN	(PR)	PURPLE	PK	PINK	
	————	-----	-----	R	RED	BL	BLUE	GY	GRAY	L	LAVENDER	
ACCESSORY	————	-----	-----	O	ORANGE	W	WHITE	(S)	SLATE			