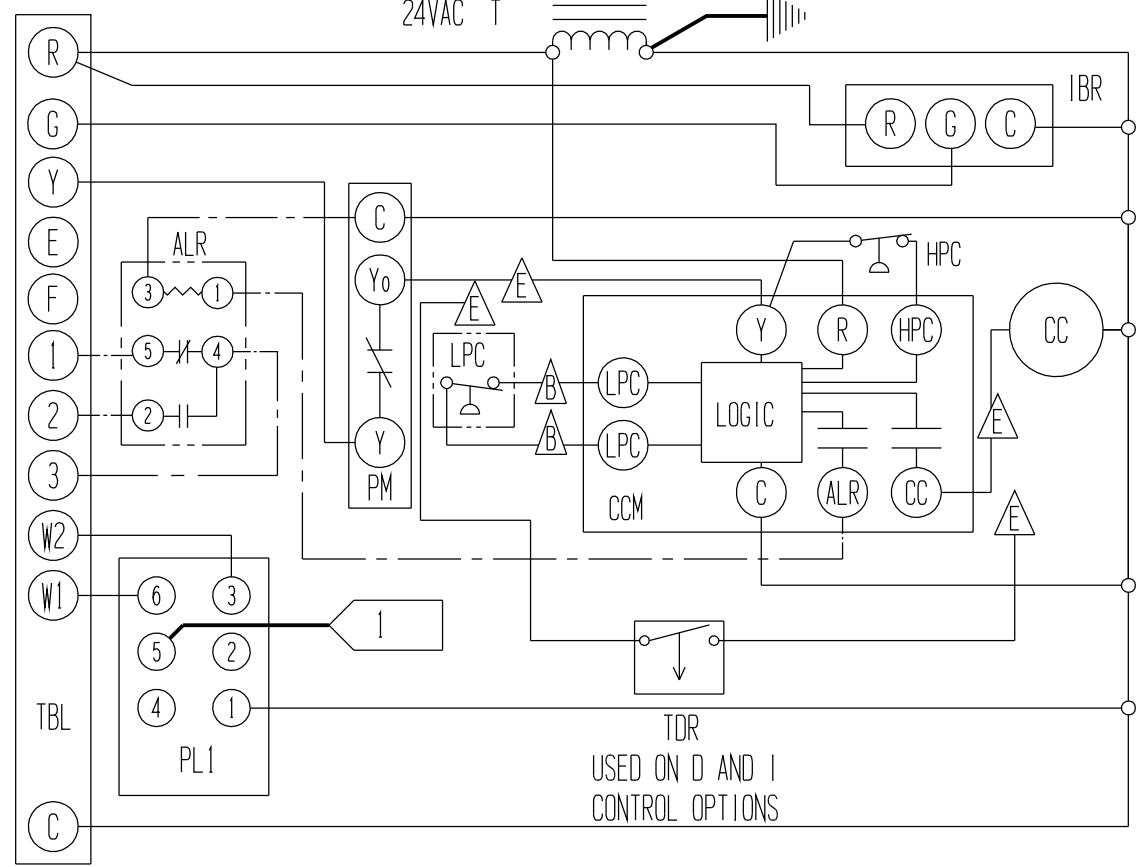
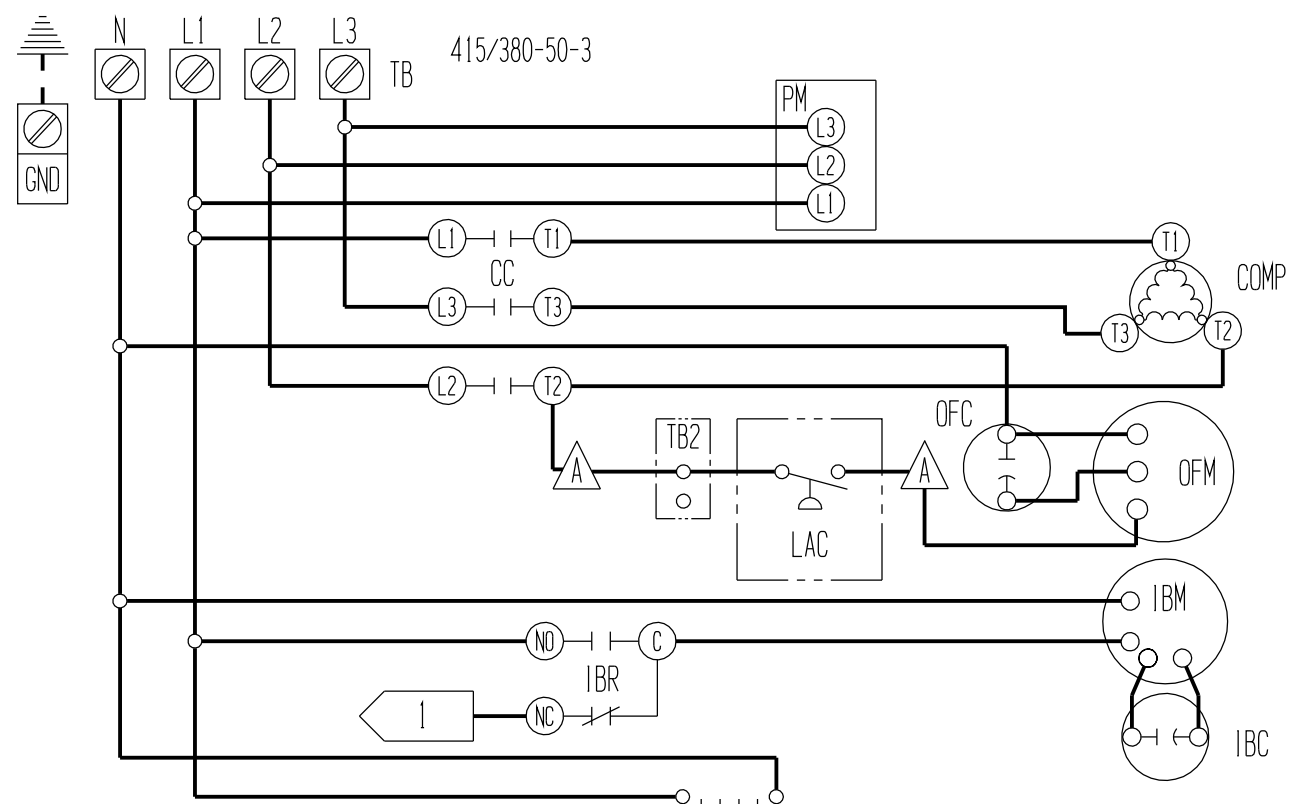


USE COPPER CONDUCTORS ONLY SUITABLE FOR AT LEAST 75° C

COMPONENT CODE			
ALR	ALARM RELAY	IBR	INDOOR BLOWER RELAY
CB1	CIRCUIT BREAKER #1	LAC	LOW AMBIENT CONTROL
CB2	CIRCUIT BREAKER #2	LPC	LOW PRESSURE CONTROL
CC	COMPRESSOR CONTACTOR	LS	LIMIT SWITCH
CCM	COMPRESSOR CONTROL MODULE	OFC	OUTDOOR FAN CAPACITOR
COMP	COMPRESSOR	OFM	OUTDOOR FAN MOTOR
GND	EQUIPMENT GROUND	PL1	PLUG #1
H1	HEAT STRIP #1	PM	PHASE MONITOR
H2	HEAT STRIP #2	T	TRANSFORMER
HC1	HEATER CONTACTOR #1	TB, TB2	TERMINAL BLOCK
HC2	HEATER CONTACTOR #2	TBL	LOW VOLTAGE TERMINAL BLOCK
HPC	HIGH PRESSURE CONTROL	TCO	THERMAL CUTOFF
IBC	INDOOR BLOWER CAPACITOR		
IBM	INDOOR BLOWER MOTOR		

Labeled wires connect if no options used.
 Move red wire to 208V tap for 208V operation.
 Red (low) black (high) were applicable.
 Red 50 Hz operation only.

HIGH VOLTAGE	FACTORY STD.			FIELD			OPTIONAL			COLOR CODE														
	---	---	---	---	---	---	---	---	---	BK	BR	R	O	Y	G	BL	W	V (PR)	GY (S)	T	PK	L	TAN PINK LAVENDER	
LOW VOLTAGE	---	---	---	---	---	---	---	---	---															
ACCESSORY	---	---	---	---	---	---	---	---	---															



BARD MFG. CO.

4095-630