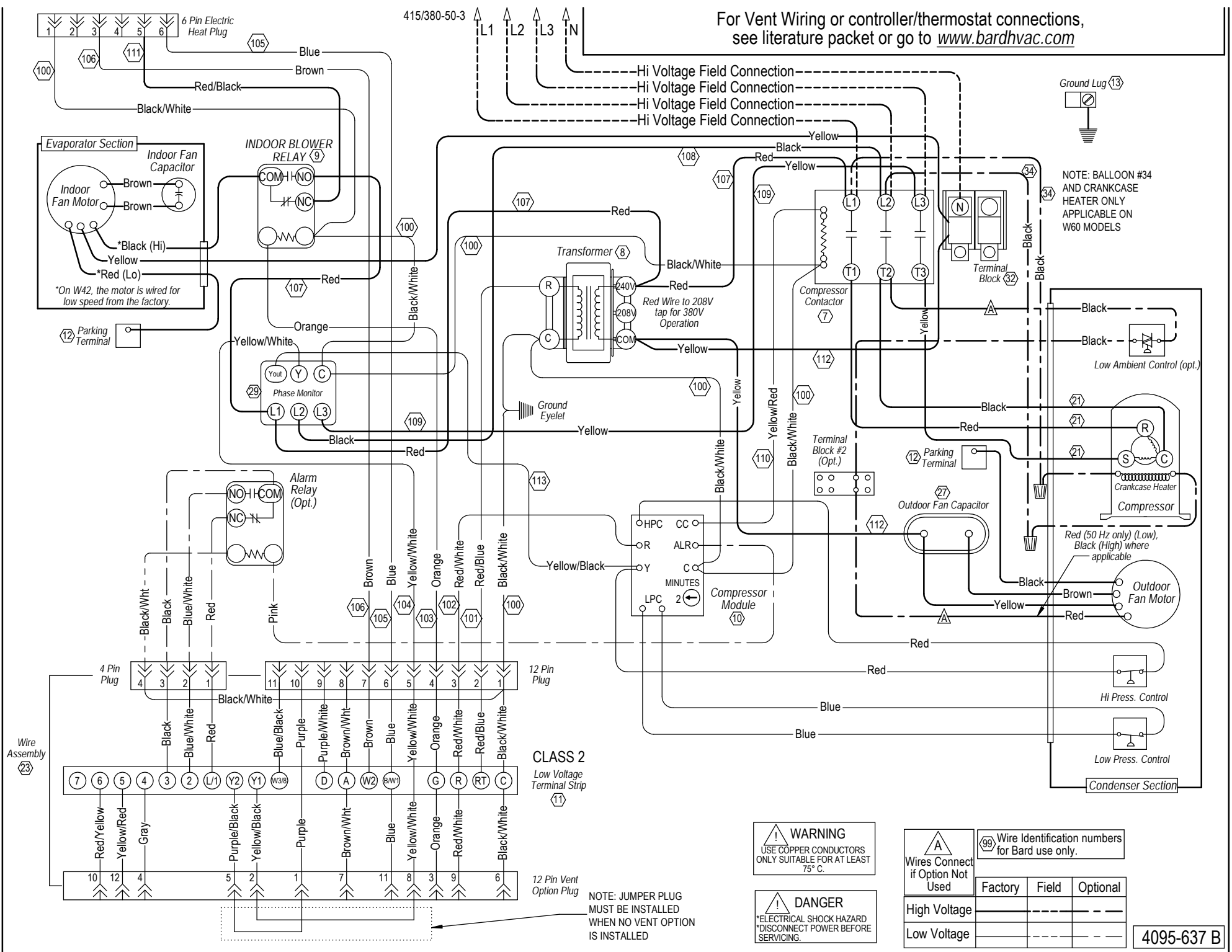


For Vent Wiring or controller/thermostat connections, see literature packet or go to www.bardhvac.com



NOTE: BALLOON #34 AND CRANKCASE HEATER ONLY APPLICABLE ON W60 MODELS

Red (50 Hz only) (Low), Black (High) where applicable

CLASS 2 Low Voltage Terminal Strip (11)

Wires Connect if Option Not Used	Factory	Field	Optional
	High Voltage		
Low Voltage			

4095-637 B