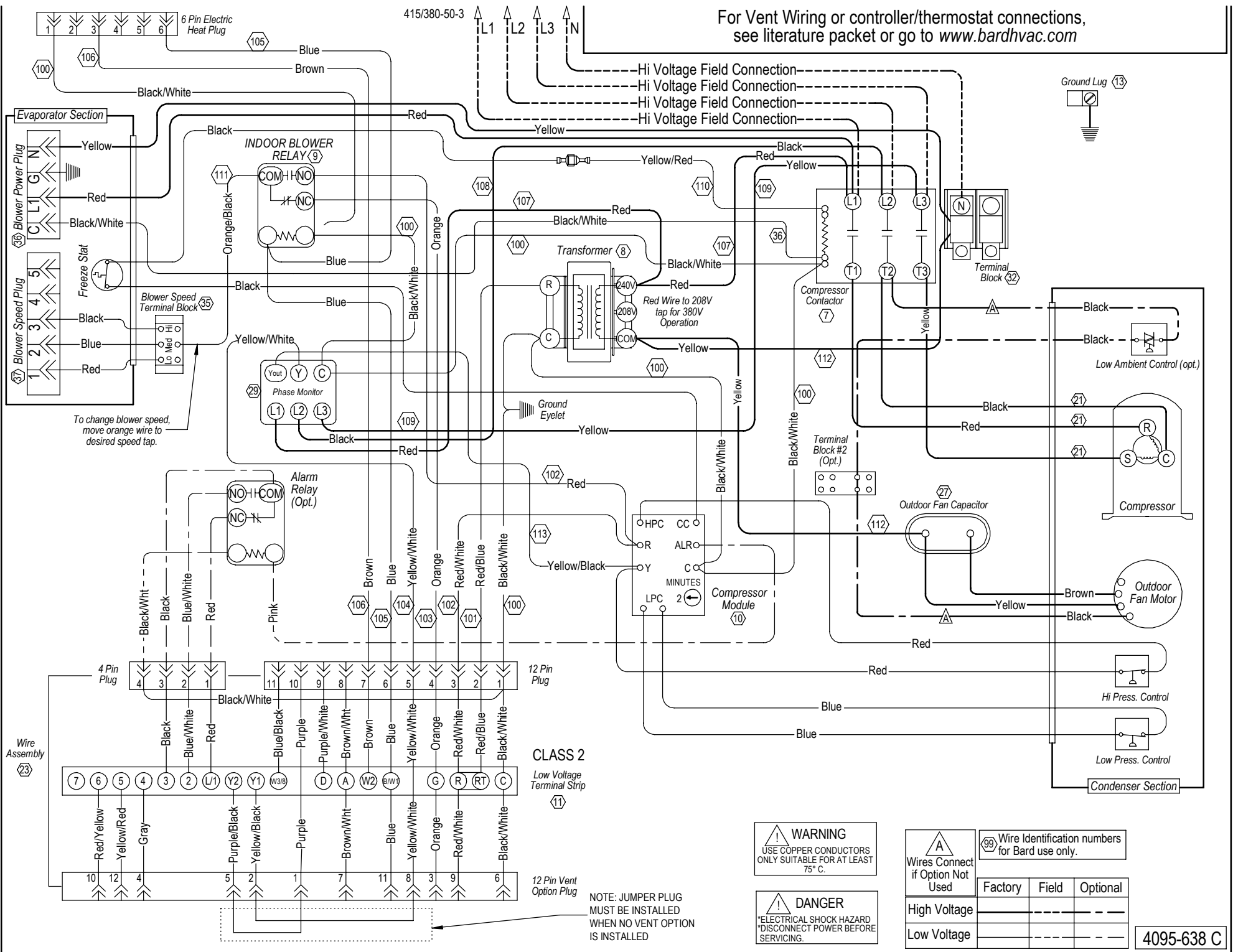


For Vent Wiring or controller/thermostat connections, see literature packet or go to www.bardhvac.com



WARNING
USE COPPER CONDUCTORS
ONLY SUITABLE FOR AT LEAST
75° C.

DANGER
ELECTRICAL SHOCK HAZARD
DISCONNECT POWER BEFORE
SERVICING.

<p>A</p> <p>Wires Connect if Option Not Used</p>	<p>99 Wire Identification numbers for Bard use only.</p>		
	Factory	Field	Optional
High Voltage			
Low Voltage			

4095-638 C