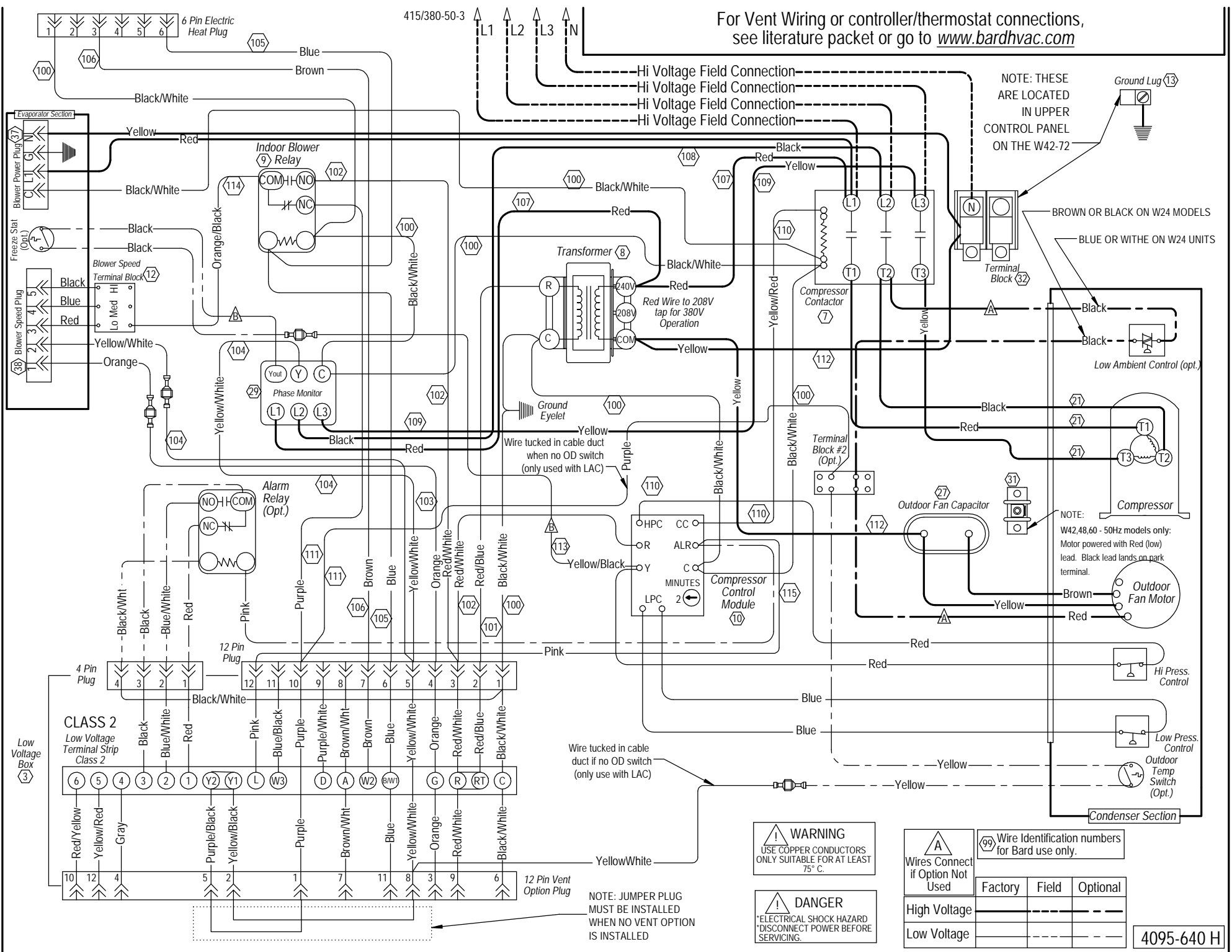


For Vent Wiring or controller/thermostat connections, see literature packet or go to [www.bardhvac.com](http://www.bardhvac.com)



NOTE: THESE ARE LOCATED IN UPPER CONTROL PANEL ON THE W42-72

BROWN OR BLACK ON W24 MODELS  
BLUE OR WHITE ON W24 UNITS

NOTE: W42,48,60 - 50Hz models only: Motor powered with Red (low) lead. Black lead lands on park terminal.

Wire tucked in cable duct if no OD switch (only use with LAC)

NOTE: JUMPER PLUG MUST BE INSTALLED WHEN NO VENT OPTION IS INSTALLED

**WARNING**  
USE COPPER CONDUCTORS ONLY SUITABLE FOR AT LEAST 75° C.

**DANGER**  
ELECTRICAL SHOCK HAZARD DISCONNECT POWER BEFORE SERVICING.

Wires Connect if Option Not Used	99 Wire Identification numbers for Bard use only.		
	Factory	Field	Optional
High Voltage			
Low Voltage			

4095-640 H