

USE COPPER CONDUCTORS  
ONLY SUITABLE FOR AT  
LEAST 75° C

380-60-3  
PER NAMEPLATE

USE CLASS 1 WIRING FOR ALL  
CONNECTIONS TO THE LOW VOLTAGE  
TERMINAL BLOCK.  
ALARM RELAY CONTACT RATINGS  
125VA @24VAC.

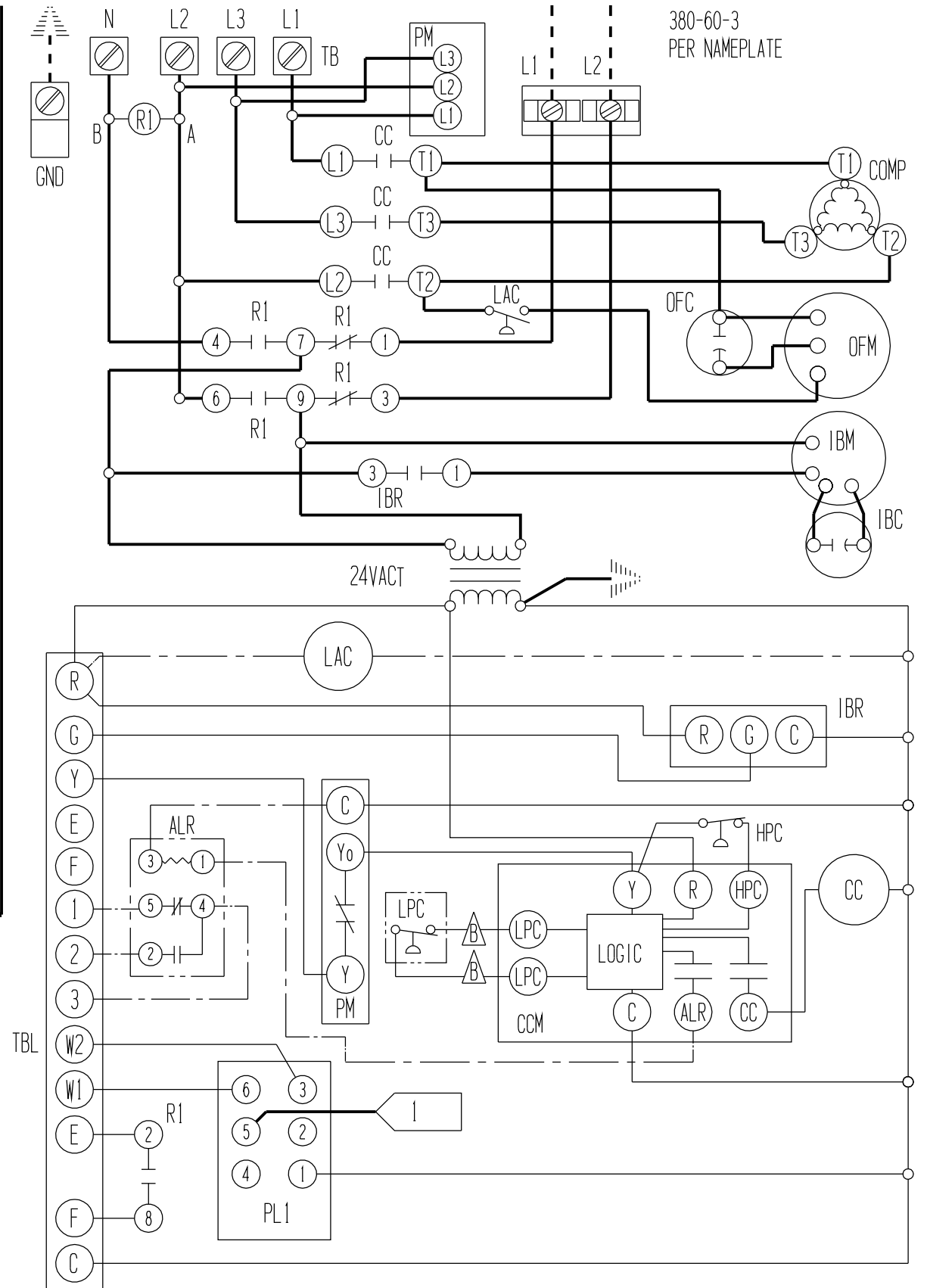
| COMPONENT CODE |                         |     |                            |
|----------------|-------------------------|-----|----------------------------|
| ALR            | ALARM RELAY             | IBC | INDOOR BLOWER CAPACITOR    |
| CB1            | CIRCUIT BREAKER #1      | IBR | INDOOR BLOWER RELAY        |
| CB2            | CIRCUIT BREAKER #2      | LAC | LOW AMBIENT CONTROL        |
| CC             | COMPRESSOR CONTACTOR    | LOR | LOCK OUT RELAY             |
| R1             | INVERTER CONTROL RELAY  | LPB | LOW PRESSURE BYPASS        |
| COMP           | COMPRESSOR              | LPC | LOW PRESSURE CONTROL       |
| DCC            | DUAL CAN CAPACITOR      | LS  | LIMIT SWITCH               |
| GND            | EQUIPMENT GROUND        | OFM | OUTDOOR FAN MOTOR          |
| H1             | HEAT STRIP #1           | PL1 | PLUG #1                    |
| H2             | HEAT STRIP #2           | SK  | START KIT                  |
| HC1            | HEATER CONTACTOR #1     | T   | TRANSFORMER                |
| HC2            | HEATER CONTACTOR #2     | TB  | TERMINAL BLOCK             |
| HPC            | HIGH PRESSURE CONTROL   | TBL | LOW VOLTAGE TERMINAL BLOCK |
| IBC            | INDOOR BLOWER CAPACITOR | TCO | THERMAL CUTOFF             |
|                |                         | TDR | TIME DELAY RELAY           |

MOVE BOTH WIRES TO 208V TAP FOR 208V OPERATION RED (LOW) BLACK (HIGH)

|              | FACTORY STD. | FIELD | OPTIONAL |
|--------------|--------------|-------|----------|
| HIGH VOLTAGE |              |       |          |
| LOW VOLTAGE  |              |       |          |
| ACCESSORY    |              |       |          |

| COLOR CODE |        |    |        |      |        |    |
|------------|--------|----|--------|------|--------|----|
| BK         | BLACK  | Y  | YELLOW | V    | VIOLET | T  |
| BR         | BROWN  | G  | GREEN  | (PR) | PURPLE | PK |
| R          | RED    | BL | BLUE   | GY   | GRAY   | L  |
| O          | ORANGE | W  | WHITE  | (S)  | SLATE  |    |

**BARD MFG. CO.**  
4095-704 B



380-60-3  
PER NAMEPLATE