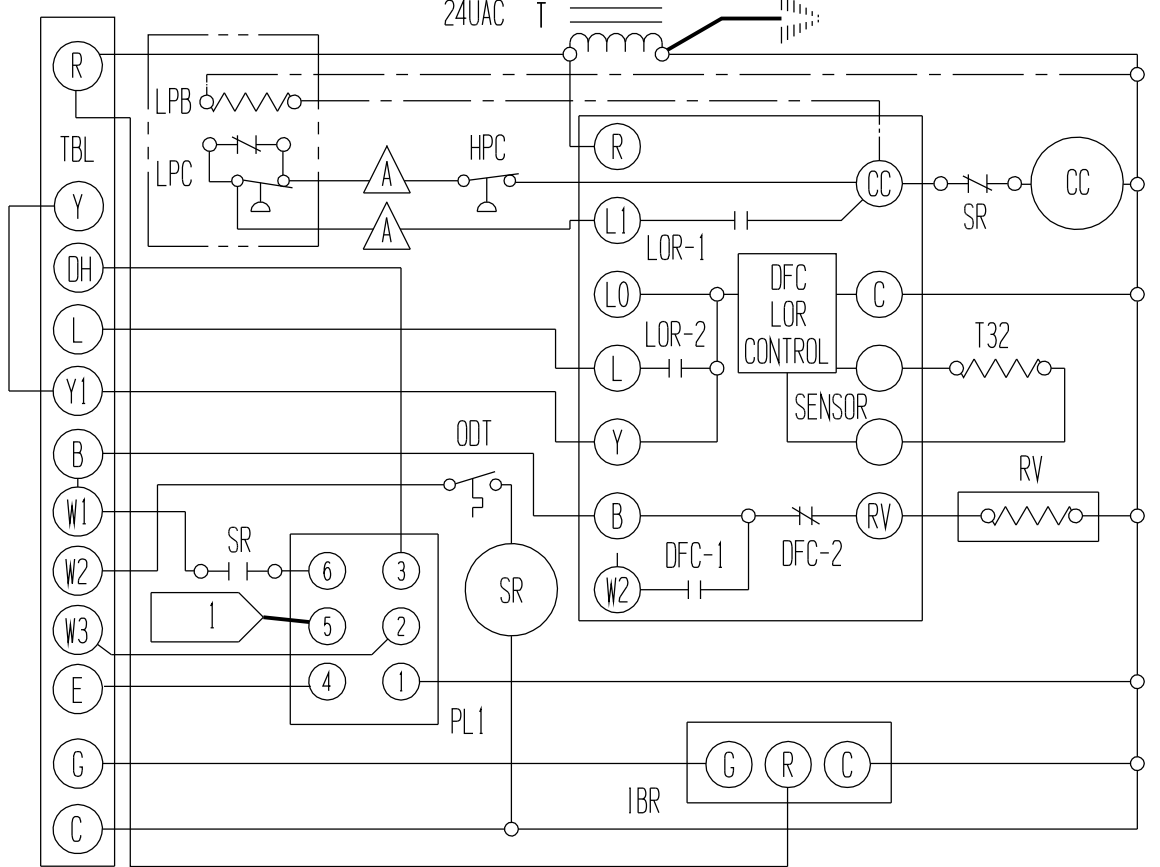
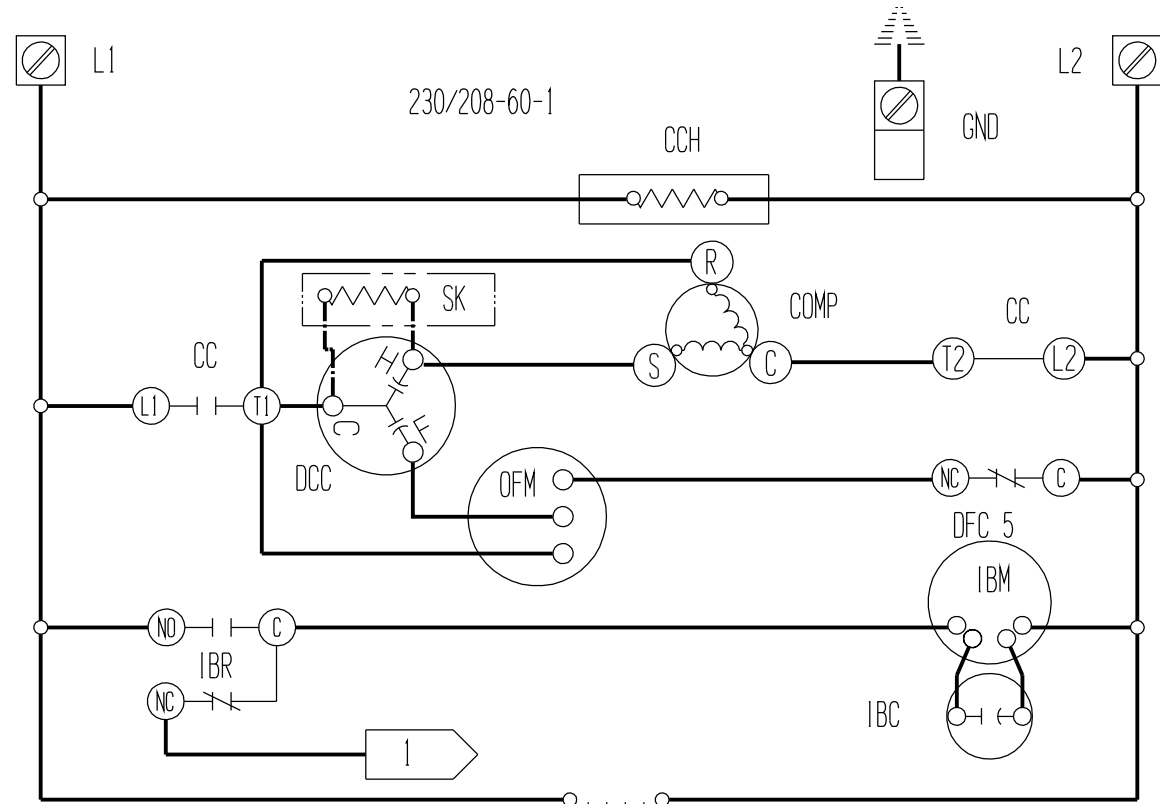


COMPONENT CODE	
CB1	CIRCUIT BREAKER #1
CB2	CIRCUIT BREAKER #2
CC	COMPRESSOR CONTACTOR
CCH	COMPRESSOR CRANKCASE HEATER
COMP	COMPRESSOR
CR1	CONTROL RELAY
DCC	DUAL CAN CAPACITOR
DFC	DEFROST CONTROL
GND	EQUIPMENT GROUND
H1	HEAT STRIP #1
H2	HEAT STRIP #2
HC1	HEATER CONTACTOR #1
HPC	HIGH PRESSURE CONTROL
IBC	INDOOR BLOWER CAPACITOR
IBM	INDOOR BLOWER MOTOR
IBR	INDOOR BLOWER MOTOR
LAB	LOW AMBIENT BYPASS CONTROL
LAC	LOW AMBIENT CONTROL
LPB	LOW PRESSURE BYPASS
LPC	LOW PRESSURE CONTROL
LS	LIMIT SWITCH
ODT	OUTDOOR THERMOSTAT
OFM	OUTDOOR FAN MOTOR
PL1	PLUG #1
RV	REV. VALVE SOLINOID
SK	START KIT
SR	START RELAY
T	TRANSFORMER
TB	TERMINAL BLOCK
TBL	LOW VOLTAGE TERMINAL BLOCK
TCO	THERMAL CUTOFF

USE COPPER CONDUCTORS ONLY
SUITABLE FOR AT LEAST 75° C



⚠️ LABELED WIRES CONNECT IF NO OPTIONS USED. ⚠️ MOVE RED WIRE TO 208V TAP FOR 208V OPERATION ⚠️ BLACK (HIGH) RED (LOW) IF SUPPLIED

HIGH VOLTAGE	FACTORY STD.	FIELD	OPTIONAL	COLOR CODE				BARD MFG. CO.										
				BK	BR	R	O		Y	G	BL	W	V	(PR)	GY	(S)	T	PK
	————	-----	-----	BLACK	BROWN	RED	ORANGE	YELLOW	GREEN	BLUE	WHITE	VIOLET	(PURPLE)	GRAY	SLATE	TAN	PINK	LAVENDER
ACCESSORY	————	-----	-----															

BARD MFG. CO.
4096-112 B