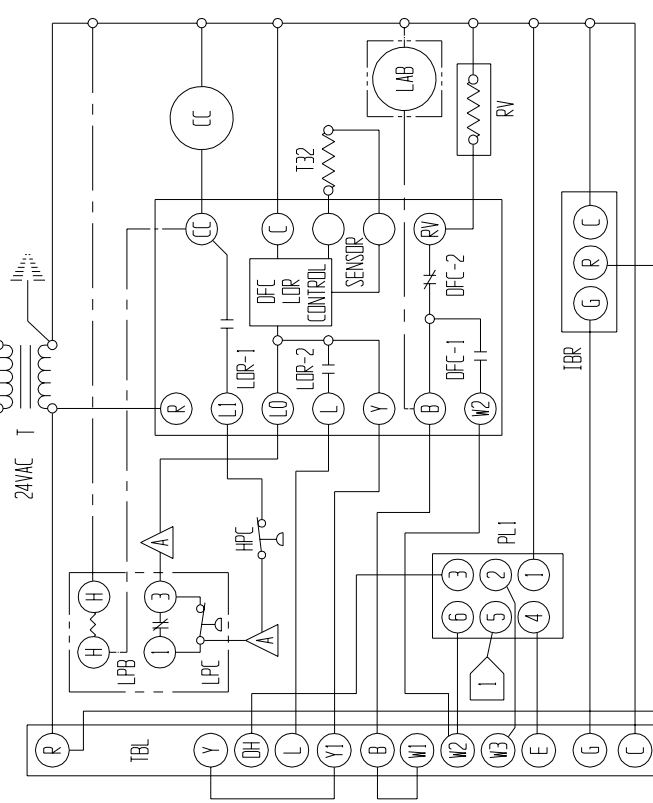
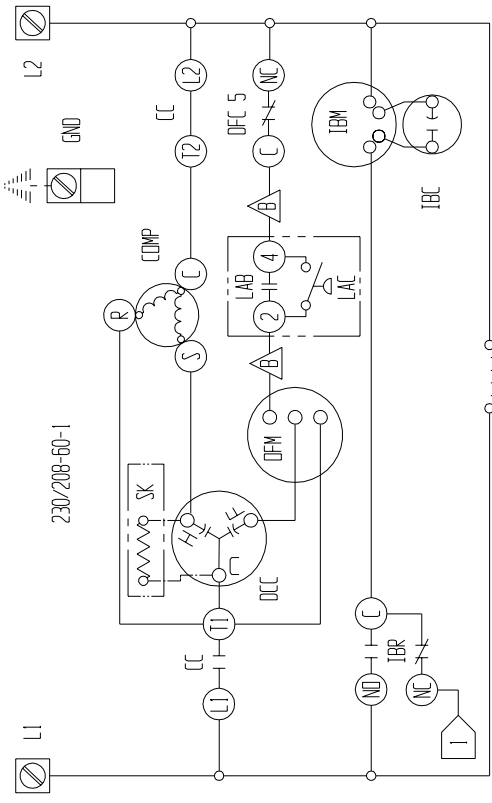


USE COPPER CONDUCTORS ONLY
SUITABLE FOR AT LEAST 75° C



COMPONENT CODE	INDOOR BLOWER RELAY	INDOOR BLOWER CAPACITOR	INDOOR BLOWER MOTOR
IB1	TBR	LPC	IBM
CB2	LAB	LOR-1	OBM
CC	LAC	LOR-2	FAN
COMP	LPB	DFC	FAN
DCC	LPC	LS	FAN
DFC	LS	DFM	FAN
EHR	PLI	PLI	FAN
GND	RV	RV	FAN
H1	SK	SK	FAN
H2	T	T	FAN
HC1	TB	TB	FAN
HC2	TBL	TBL	FAN
HPC	TCD	TCD	FAN
IB1			FAN
IBM			FAN

FACTORY STD.	FIELD	OPTIONAL
HIGH VOLTAGE	---	---
LOW VOLTAGE	---	---
ACCESSORY	---	---

MOVIE RED WIRE TO 208V TAP FOR 208V OPERATION	RED (LOW) BLACK (HIGH) WHERE APPLICABLE
△	△

FACTORY STD.	FIELD	OPTIONAL
HIGH VOLTAGE	---	---
LOW VOLTAGE	---	---
ACCESSORY	---	---

COMPONENT CODE	COLOR CODE
BK	BLACK
BR	BROWN
R	RED
O	ORANGE
Y	YELLOW
G	GREEN
BL	BLUE
W	WHITE
V	VIOLET
(PR)	PURPLE
GY	GRAY
(S)	SLATE
T	TAN
PK	PINK
L	LAVENDER

BARD MFG. CO.
4096-113 A