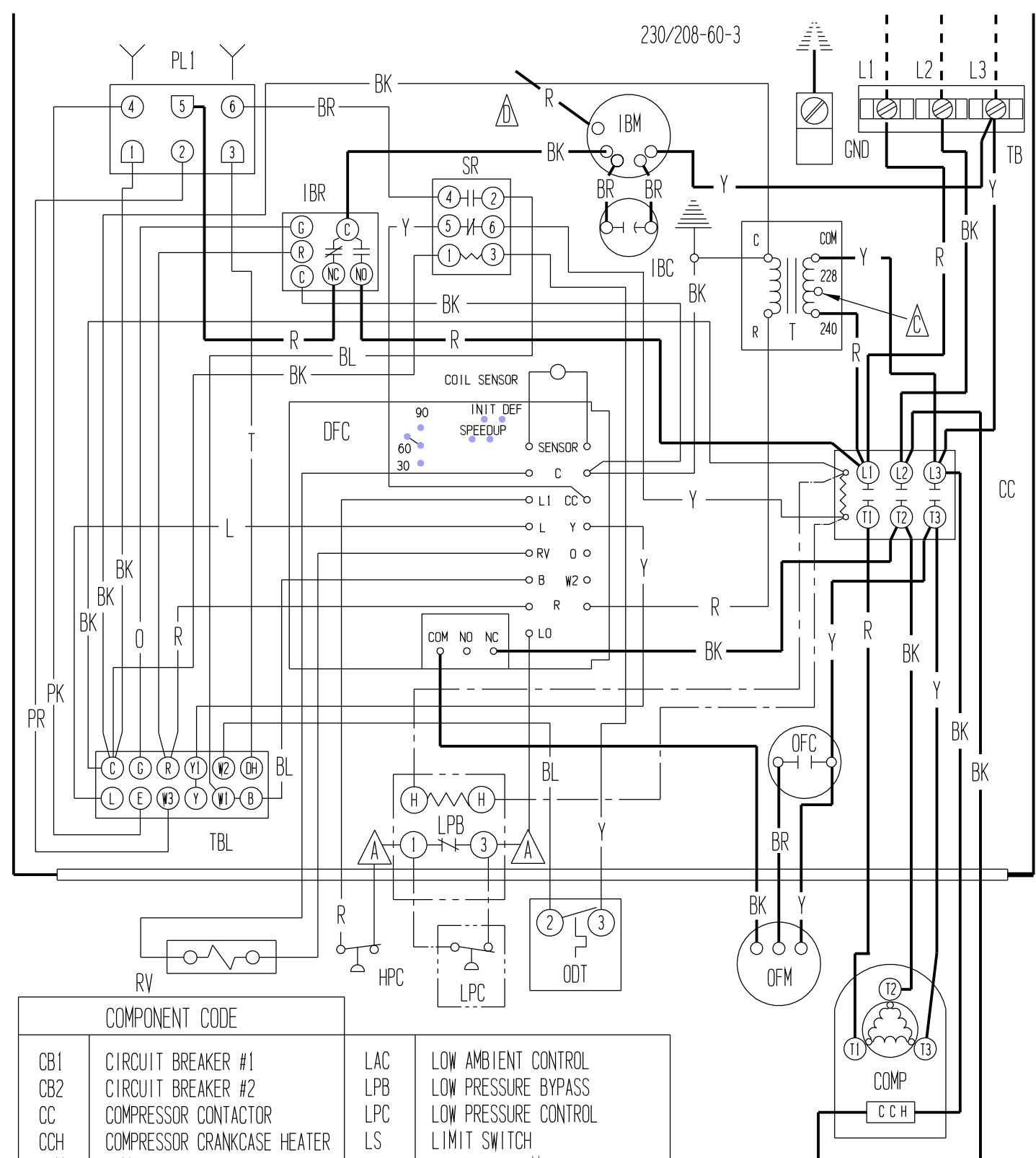


230/208-60-3



COMPONENT CODE

CB1	CIRCUIT BREAKER #1	LAC	LOW AMBIENT CONTROL
CB2	CIRCUIT BREAKER #2	LPB	LOW PRESSURE BYPASS
CC	COMPRESSOR CONTACTOR	LPC	LOW PRESSURE CONTROL
CCH	COMPRESSOR CRANKCASE HEATER	LS	LIMIT SWITCH
COMP	COMPRESSOR	ODT	OUTDOOR THERMOSTAT
DFC	DEFROST CONTROL	OFC	OUTDOOR FAN CAPACITOR
GND	EQUIPMENT GROUND	OFM	OUTDOOR FAN MOTOR
H1	HEAT STRIP #1	OFR	OUTDOOR FAN RELAY
H2	HEAT STRIP #2	PL1	PLUG #1
HC1	HEATER CONTACTOR #1	RV	REV. VALVE SOLINOID
HPC	HIGH PRESSURE CONTROL	SR	STAGING RELAY
IBC	INDOOR BLOWER CAPACITOR	T	TRANSFORMER
IBM	INDOOR BLOWER MOTOR	TB	TERMINAL BLOCK
IBR	INDOOR BLOWER RELAY	TBL	LOW VOLTAGE TERMINAL BLOCK
LAB	LOW AMBIENT BYPASS CONTROL	TCO	THERMAL CUTOFF

USE COPPER CONDUCTORS ONLY  
SUITABLE FOR AT LEAST 75° C

LABELED WIRES CONNECT IF NO OPTIONS USED. MOVE RED WIRE TO 208V TAP FOR 208V OPERATION BLACK (HIGH) RED (LOW) IF SUPPLIED

	FACTORY STD.	FIELD	OPTIONAL
HIGH VOLTAGE	————	-----	-----
LOW VOLTAGE	————	-----	-----
ACCESSORY	————	-----	-----

COLOR CODE			
BK	BLACK	Y	YELLOW
BR	BROWN	G	GREEN
R	RED	BL	BLUE
O	ORANGE	W	WHITE
		V	VIOLET
		(PR)	PURPLE
		GY	GRAY
		(S)	SLATE
		T	TAN
		PK	PINK
		L	LAVENDER

**BARD MFG. CO.**  
4096-212 C

230/208-60-3

