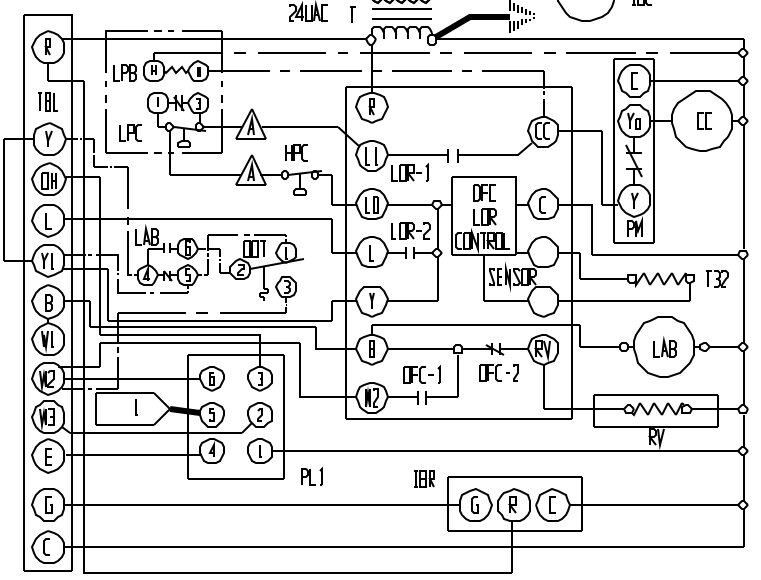
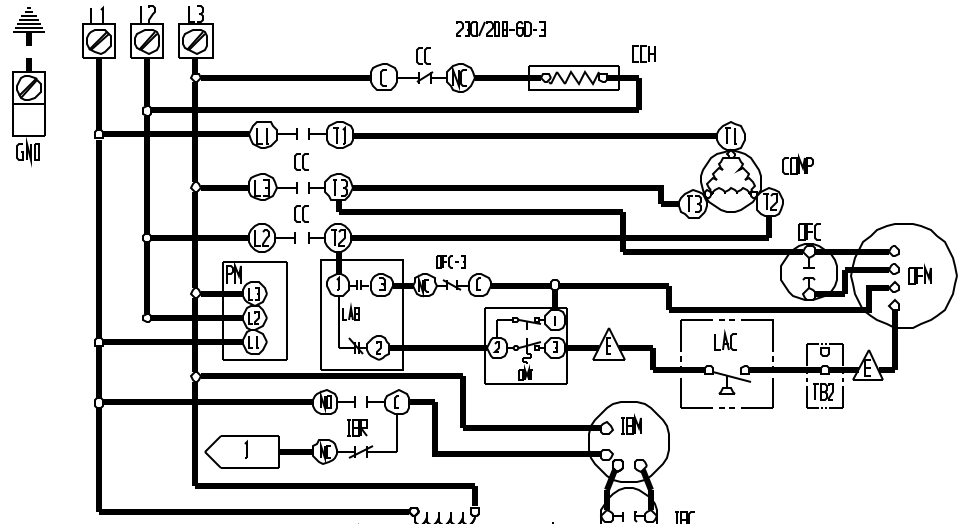
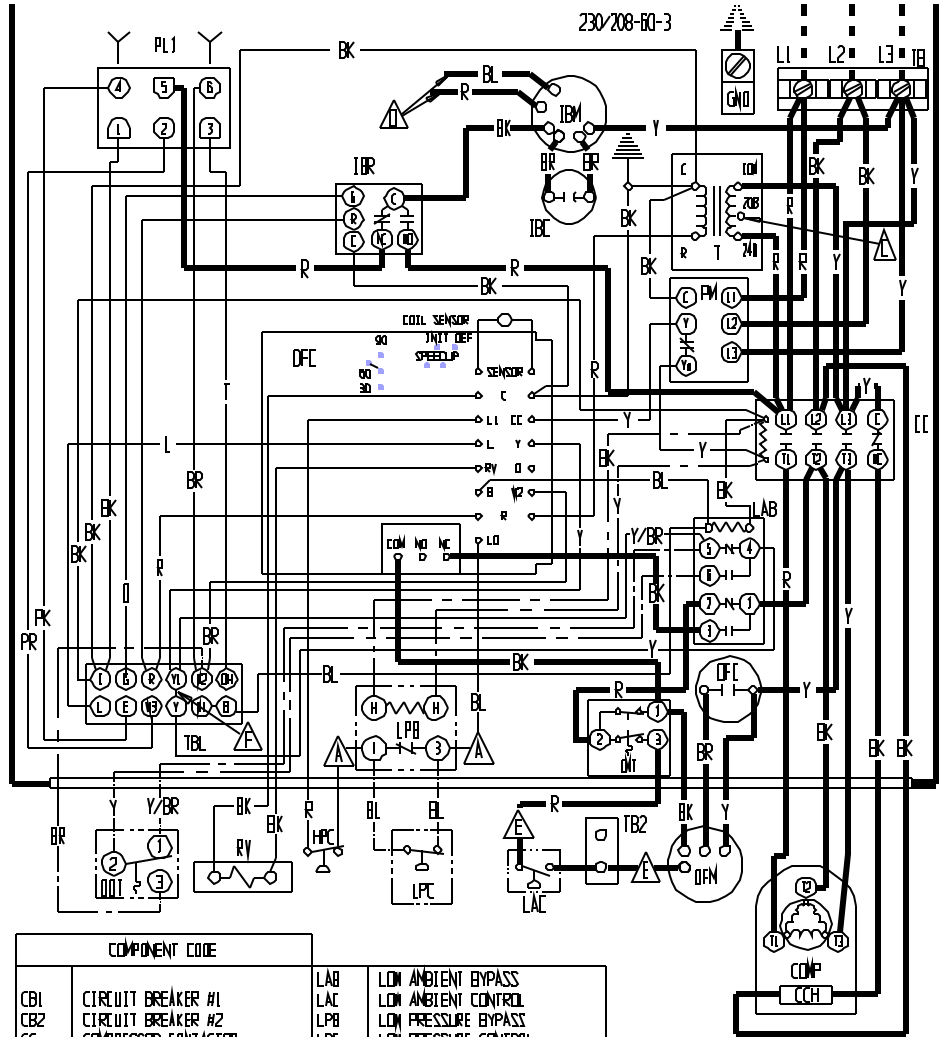


230/208-60-3



USE COPPER CONDUCTORS ONLY  
SUITABLE FOR AT LEAST 75° F

⚠️ Labeled wires connect if no options used. ⚠️ Move red wire to 20BY tap for 20BY operation. ⚠️ Red (low) black (high) blue (med) where applicable. ⚠️ Remove jumper for outdoor thermostat.

	FACTORY STD.	FIELD	OPTIONAL
HIGH VOLTAGE	—	- - -	— · —
LOW VOLTAGE	—	- - -	— · —
ACCESSORY	—	- - -	— · —

COLOR CODE			
BK	BLACK	Y	YELLOW
BR	BROWN	G	GREEN
R	RED	BL	BLUE
O	ORANGE	V	WHITE
		V (PR)	VIOLET (PURPLE)
		GY	GRAY
		(S)	SLATE
		T	TAN
		PK	PINK
		L	LAVENDER

COMPONENT CODE	
CB1	CIRCUIT BREAKER #1
CB2	CIRCUIT BREAKER #2
CC	COMPRESSOR CONTACTOR
COMP	COMPRESSOR
DFC	DEFROST CONTROL
EHR	EMERGENCY HEAT RELAY
GN	EQUIPMENT GROUND
H1	HEAT STRIP #1
H2	HEAT STRIP #2
HC1	HEATER CONTACTOR #1
HC2	HEATER CONTACTOR #2
HPC	HIGH PRESSURE CONTROL
IAC	INDOOR BLOWER CAPACITOR
IEM	INDOOR BLOWER MOTOR
IEN	INDOOR BLOWER RELAY

LAB	LOW AMBIENT BYPASS
LAC	LOW AMBIENT CONTROL
LPB	LOW PRESSURE BYPASS
LPC	LOW PRESSURE CONTROL
LS	LIMIT SWITCH
DOT	OUTDOOR THERMOSTAT
DFC	OUTDOOR FAN CAPACITOR
DFM	OUTDOOR FAN MOTOR
DMT	OUTDOOR MOTOR THERMOSTAT
PL1	PLUG #1
PM	PHASE MONITOR
RV	REV. VALVE SOL. INDOOR
T	TRANSFORMER
TB, TB2	TERMINAL BLOCK
TBL	LOW VOLTAGE TERMINAL BLOCK
TCD	TERMINAL CUTOFF

**BARD MFG. CO.**  
4096-217 E