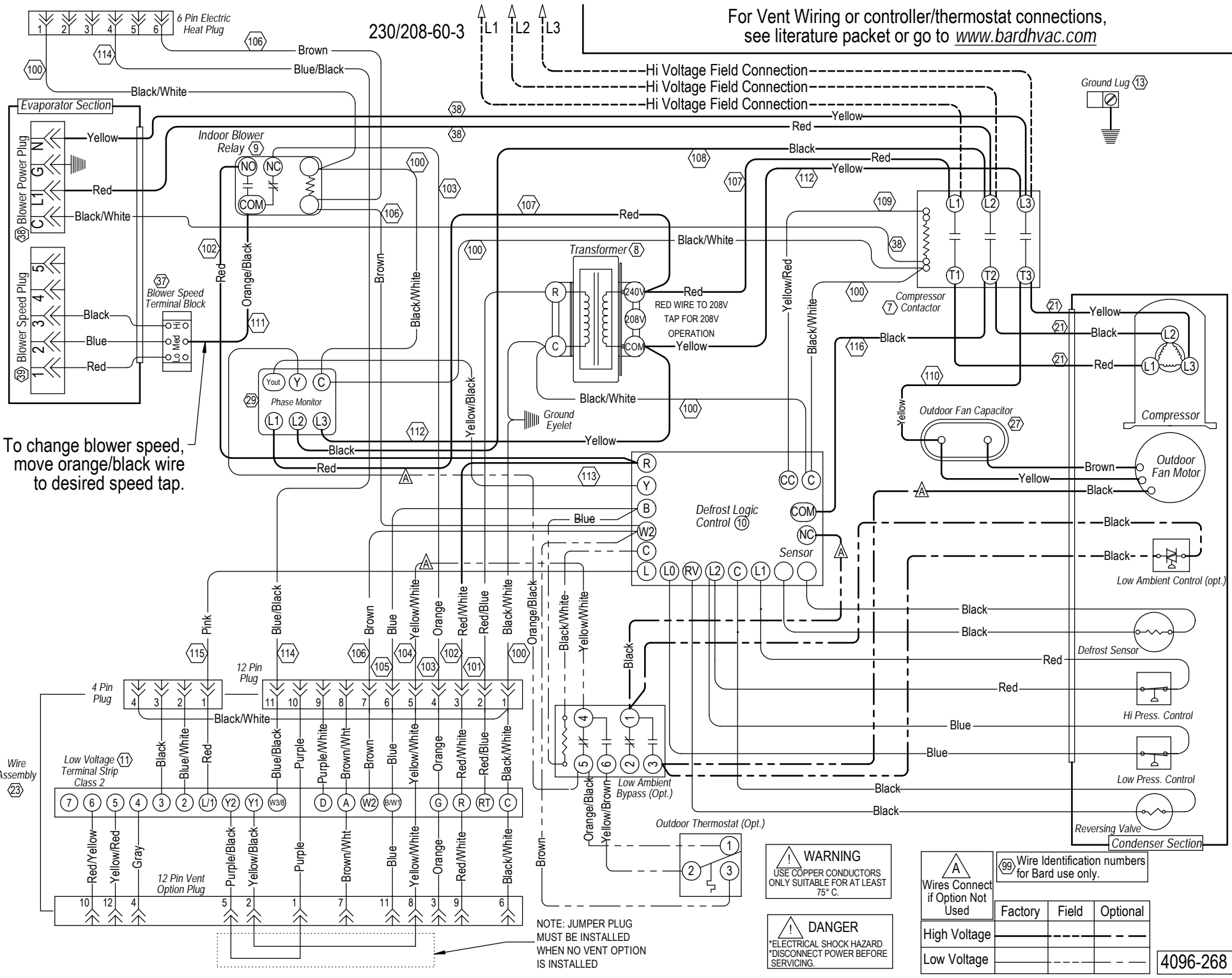


For Vent Wiring or controller/thermostat connections, see literature packet or go to www.bardhvac.com

230/208-60-3



To change blower speed, move orange/black wire to desired speed tap.

NOTE: JUMPER PLUG MUST BE INSTALLED WHEN NO VENT OPTION IS INSTALLED

WARNING
USE COPPER CONDUCTORS ONLY SUITABLE FOR AT LEAST 75° C.

DANGER
ELECTRICAL SHOCK HAZARD DISCONNECT POWER BEFORE SERVICING.

<p>A Wires Connect if Option Not Used</p>	<p>99 Wire Identification numbers for Bard use only.</p>		
	Factory	Field	Optional
High Voltage			
Low Voltage			

4096-268 B