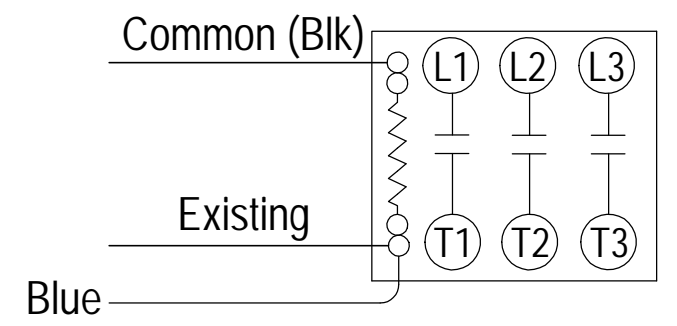


Attention! - A Bard constant-cfm blower kit has been installed in this unit. Please review this diagram before proceeding.

- ① Unused wires. Ends should be capped with a wire nut.
- ② IF AN ELECTRIC HEATER PACKAGE IS INSTALLED IN THIS UNIT - Blue wire is connected to the (+) side of the heater contactor coil.



IF NO HEATER PACKAGE IS INSTALLED - Blue wire will not be present in the unit

- ③ Blower Airflow Select Wires:
-Connect Gray wire to R in W36, W48 or W60 Units
-Tape off Gray wire for ALL OTHER UNITS
- ④ Single/Dual Speed Operation
-For single-speed operation, connect as shown
- For Dual (full/vent) speed operation Move Orange/white from G to Y1 Land Orange on G

⑨ was high voltage blower relay. Replaced with pilot-duty low voltage relay

| | | | |
|---------------------------------------|--------------|-------|----------|
| A Wires Connect if Option Not Used | Factory | Field | Optional |
| | High Voltage | | |
| Low Voltage | | | |

WARNING
USE COPPER CONDUCTORS ONLY SUITABLE FOR AT LEAST 75° C.

DANGER
*ELECTRICAL SHOCK HAZARD
*DISCONNECT POWER BEFORE SERVICING.