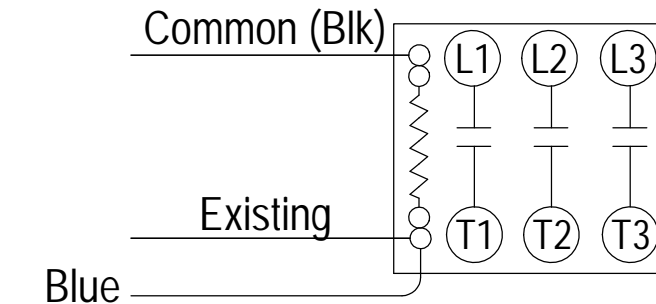


Attention! - A Bard constant-cfm blower kit has been installed in this unit. Please review this diagram before proceeding.

① Unused wires. Ends should be capped with a wire nut.

② IF AN ELECTRIC HEATER PACKAGE IS INSTALLED IN THIS UNIT - Blue wire is connected to the (+) side of the heater contactor coil.



IF NO HEATER PACKAGE IS INSTALLED - Blue wire will not be present in the unit

③ Blower Airflow Select Wires:

- Connect Gray wire to R in W36, W48 or W60 Units
- Tape off Gray wire for ALL OTHER UNITS

④ Single/Dual Speed Operation

- For single-speed operation, connect as shown
- For Dual (full/vent) speed operation move Orange/white from G to Y1. Land Orange on G

⑨ was high voltage blower relay. Replaced with pilot-duty low voltage relay

A Wires Connect if Option Not Used	Factory	Field	Optional
	High Voltage	-----	-----
Low Voltage	-----	-----	-----

⑨ Wire Identification numbers for Bard use only.		
Factory	Field	Optional
High Voltage	-----	-----
Low Voltage	-----	-----

WARNING
USE COPPER CONDUCTORS ONLY SUITABLE FOR AT LEAST 75° C.

DANGER
*ELECTRICAL SHOCK HAZARD
*DISCONNECT POWER BEFORE SERVICING.