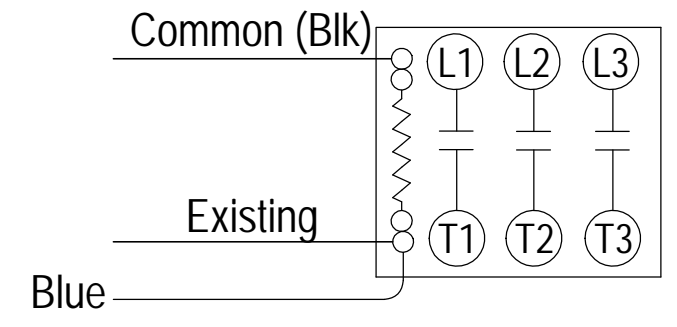


Attention! - A Bard constant-cfm blower kit has been installed in this unit. Please review this diagram before proceeding.

- ① Unused wires. Ends should be capped with a wire nut.
- ② IF AN ELECTRIC HEATER PACKAGE IS INSTALLED IN THIS UNIT - Blue wire is connected to the (+) side of the heater contactor coil.



IF NO HEATER PACKAGE IS INSTALLED - Blue wire will not be present in the unit.

- ③ Blower Airflow Select Wires:
-Connect Gray wire to R in W36, W48 or W60 Units
-Tape off Gray wire for ALL OTHER UNITS
- ④ Single/Dual Speed Operation
-For single-speed operation, connect as shown
- For Dual (full/vent) speed operation move Orange/white from G to Y1. Land Orange on G

⑨ was high voltage blower relay. Replaced with pilot duty low voltage relay

99 Wire Identification numbers for Bard use only.

WARNING
USE COPPER CONDUCTORS ONLY SUITABLE FOR AT LEAST 75° C.

A	WIRES CONNECT IF OPTION NOT USED	C	MOVE RED WIRE TO 208V TAP FOR 208V OPERATION	D	RED (LOW) BLACK (HIGH) WHERE APPLICABLE	F	REMOVE JUMPER FOR OUTDOOR THERMOSTAT
B							

	Factory	Field	Optional
High Voltage			
Low Voltage			

DANGER
*ELECTRICAL SHOCK HAZARD
*DISCONNECT POWER BEFORE SERVICING.

4096-278 A