

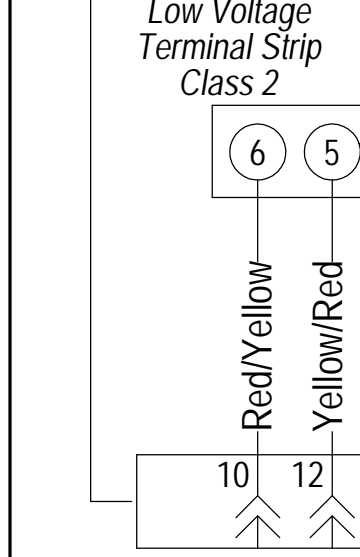
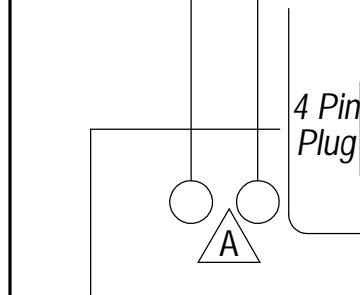
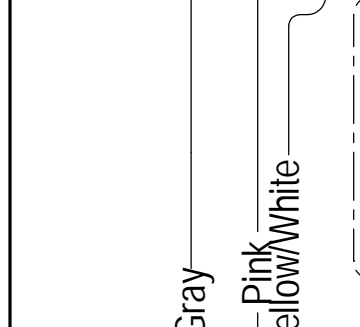
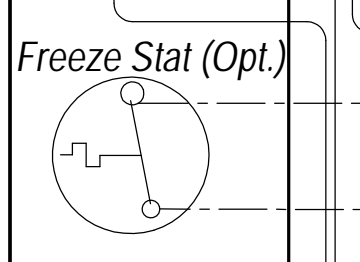
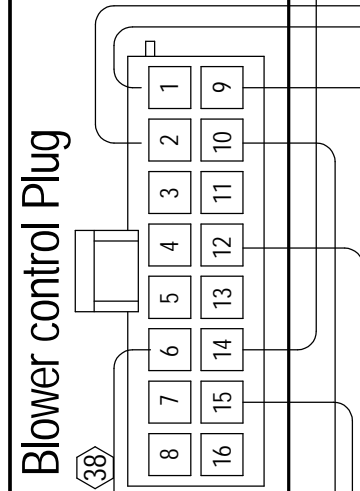
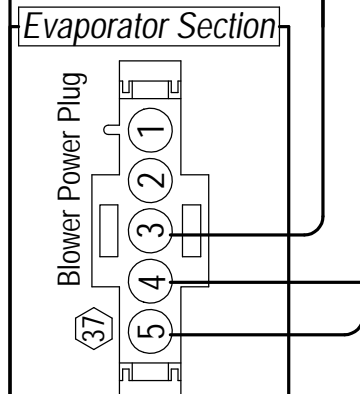
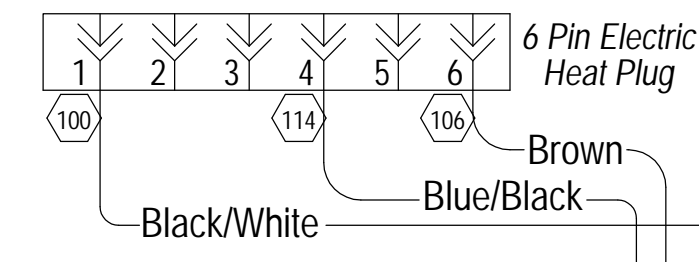
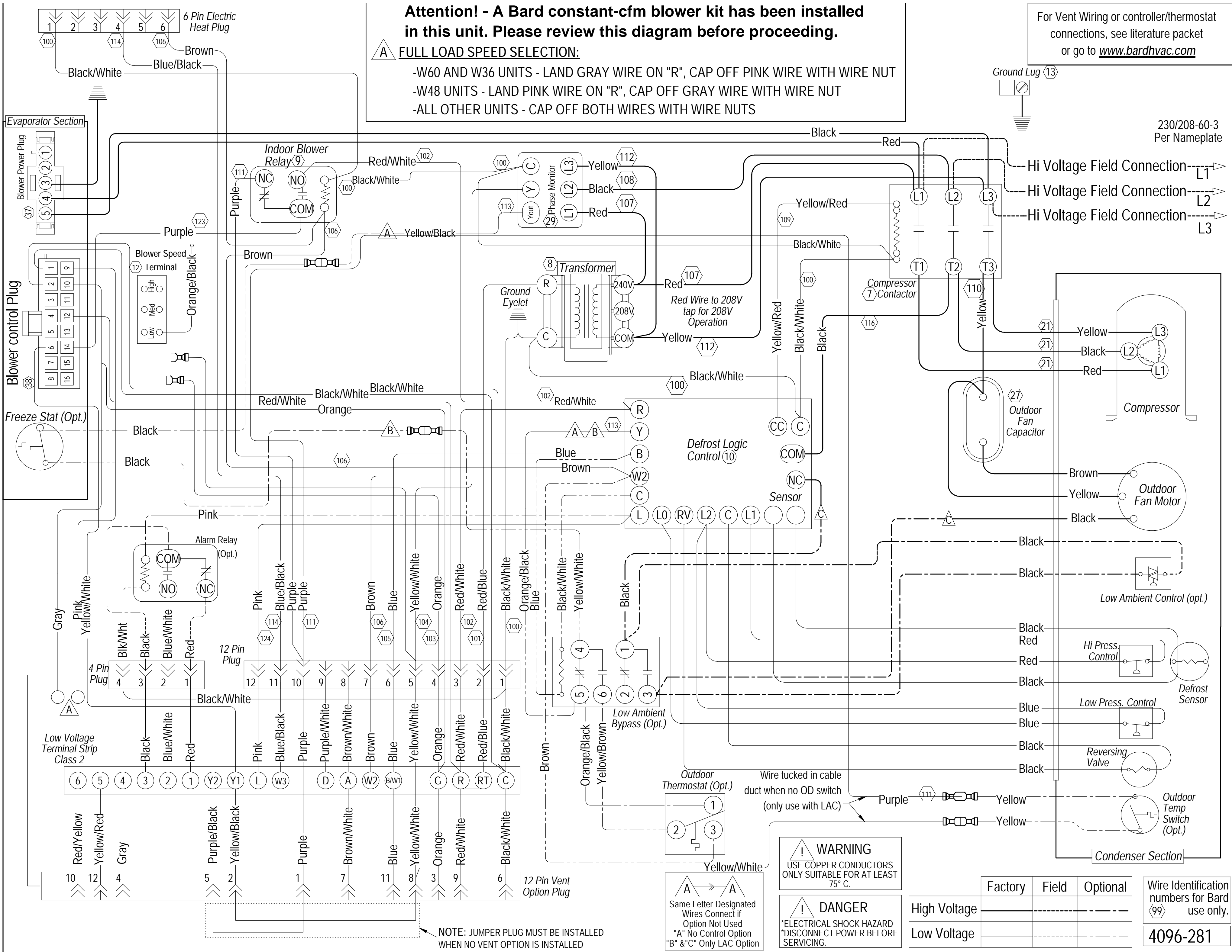
Attention! - A Bard constant-cfm blower kit has been installed in this unit. Please review this diagram before proceeding.

A FULL LOAD SPEED SELECTION:

- W60 AND W36 UNITS - LAND GRAY WIRE ON "R", CAP OFF PINK WIRE WITH WIRE NUT
- W48 UNITS - LAND PINK WIRE ON "R", CAP OFF GRAY WIRE WITH WIRE NUT
- ALL OTHER UNITS - CAP OFF BOTH WIRES WITH WIRE NUTS

For Vent Wiring or controller/thermostat connections, see literature packet or go to www.bardhvac.com

230/208-60-3
Per Nameplate



NOTE: JUMPER PLUG MUST BE INSTALLED WHEN NO VENT OPTION IS INSTALLED

A Same Letter Designated Wires Connect if Option Not Used
"A" No Control Option
"B" & "C" Only LAC Option

WARNING
USE COPPER CONDUCTORS ONLY SUITABLE FOR AT LEAST 75° C.

DANGER
*ELECTRICAL SHOCK HAZARD
*DISCONNECT POWER BEFORE SERVICING.

| | Factory | Field | Optional |
|--------------|---------|-------|----------|
| High Voltage | | | |
| Low Voltage | | | |

Wire Identification numbers for Bard use only.
4096-281