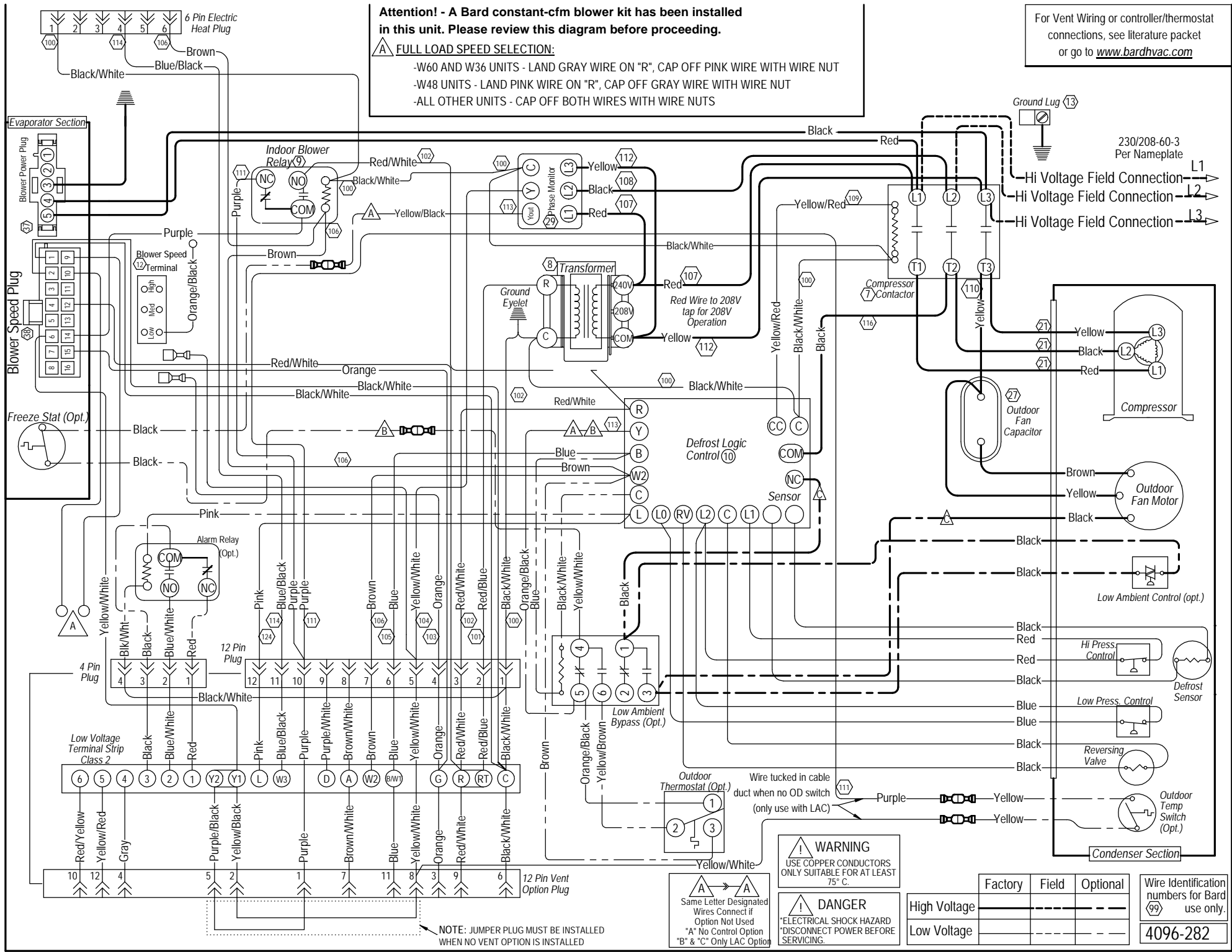


Attention! - A Bard constant-cfm blower kit has been installed in this unit. Please review this diagram before proceeding.

▲ FULL LOAD SPEED SELECTION:

- W60 AND W36 UNITS - LAND GRAY WIRE ON "R", CAP OFF PINK WIRE WITH WIRE NUT
- W48 UNITS - LAND PINK WIRE ON "R", CAP OFF GRAY WIRE WITH WIRE NUT
- ALL OTHER UNITS - CAP OFF BOTH WIRES WITH WIRE NUTS

For Vent Wiring or controller/thermostat connections, see literature packet or go to www.bardhvac.com



230/208-60-3
Per Nameplate

Ground Lug (13)

Hi Voltage Field Connection - L1
Hi Voltage Field Connection - L2
Hi Voltage Field Connection - L3

Compressor
Outdoor Fan Capacitor

Outdoor Fan Motor

Low Ambient Control (opt.)

Hi Press. Control
Defrost Sensor

Low Press. Control

Reversing Valve

Outdoor Temp Switch (Opt.)

Condenser Section

WARNING
USE COPPER CONDUCTORS ONLY SUITABLE FOR AT LEAST 75° C.

DANGER
ELECTRICAL SHOCK HAZARD
DISCONNECT POWER BEFORE SERVICING.

	Factory	Field	Optional
High Voltage			
Low Voltage			

Wire Identification numbers for Bard (99) use only.
4096-282

▲ Same Letter Designated Wires Connect if Option Not Used
A No Control Option
B & *C* Only LAC Option

NOTE: JUMPER PLUG MUST BE INSTALLED WHEN NO VENT OPTION IS INSTALLED