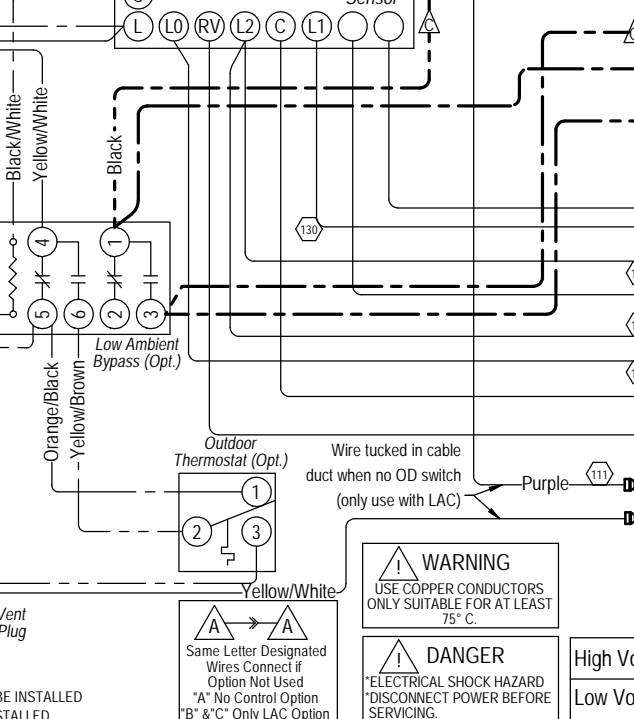
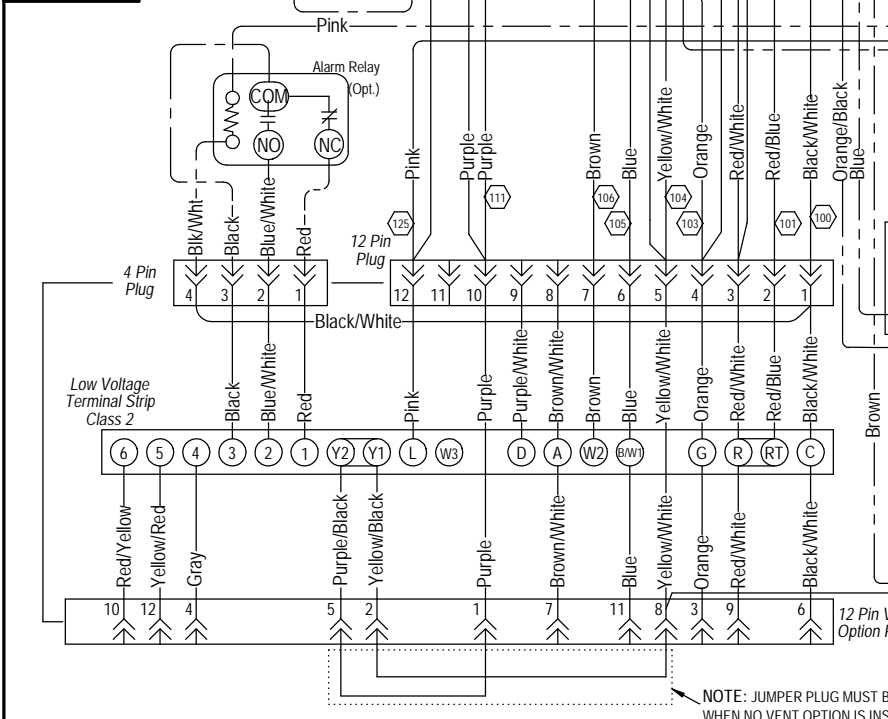
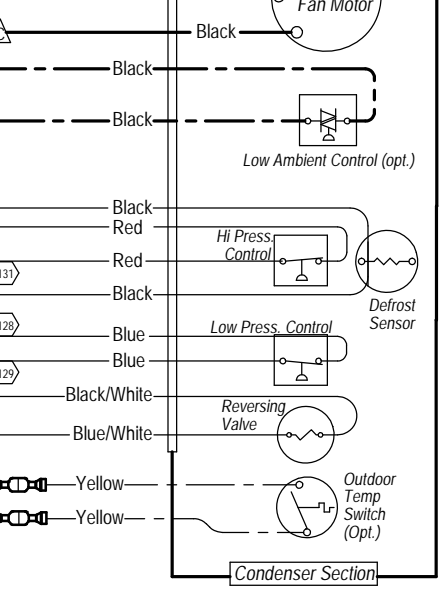
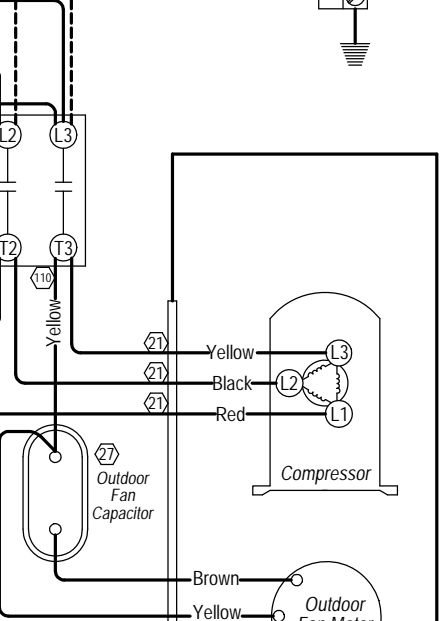
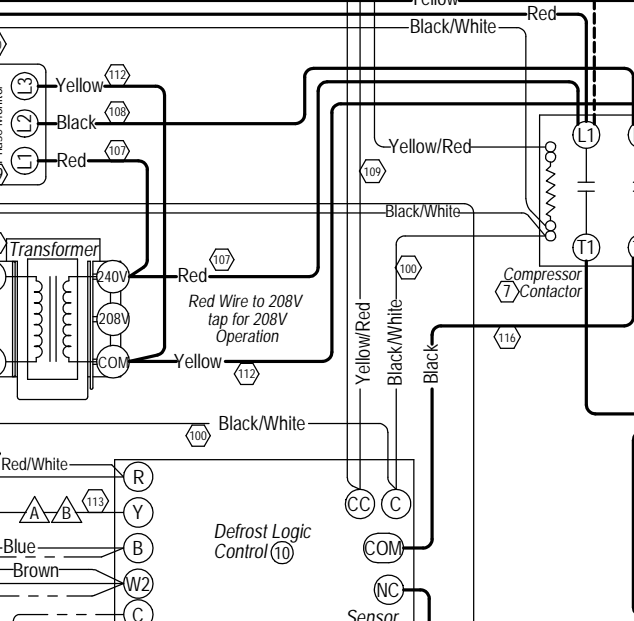
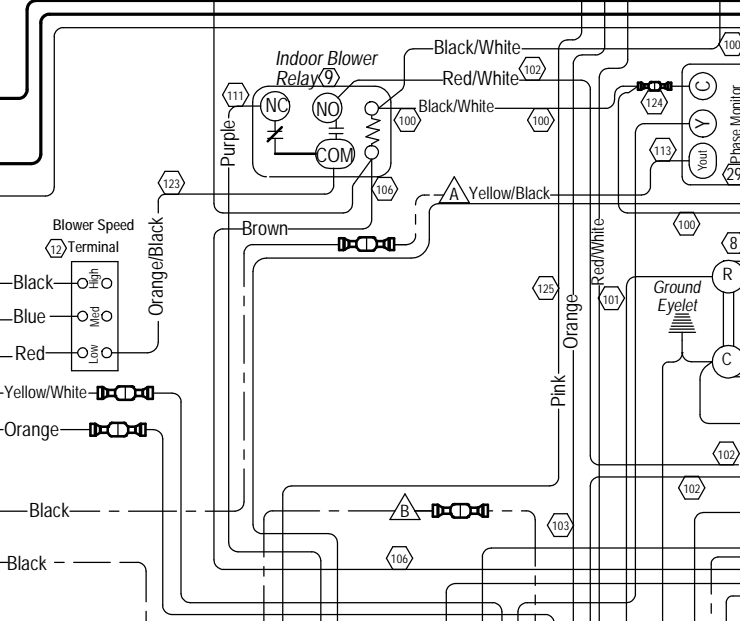
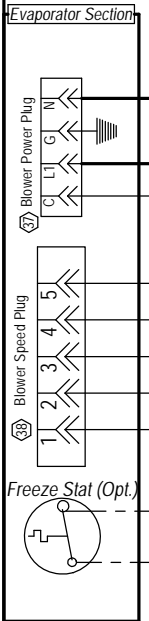


For Vent Wiring or controller/thermostat connections, see literature packet or go to www.bardhvac.com

230/208-60-3 Per Nameplate
 L1 L2 L3
 Hi Voltage Field Connection
 Hi Voltage Field Connection
 Hi Voltage Field Connection



NOTE: JUMPER PLUG MUST BE INSTALLED WHEN NO VENT OPTION IS INSTALLED

Same Letter Designated Wires Connect if Option Not Used
 "A" No Control Option
 "B" & "C" Only LAC Option

WARNING
 USE COPPER CONDUCTORS ONLY SUITABLE FOR AT LEAST 75° C.

DANGER
 ELECTRICAL SHOCK HAZARD
 DISCONNECT POWER BEFORE SERVICING.

	Factory	Field	Optional
High Voltage			
Low Voltage			

Wire Identification numbers for Bard (99) use only.
4096-298