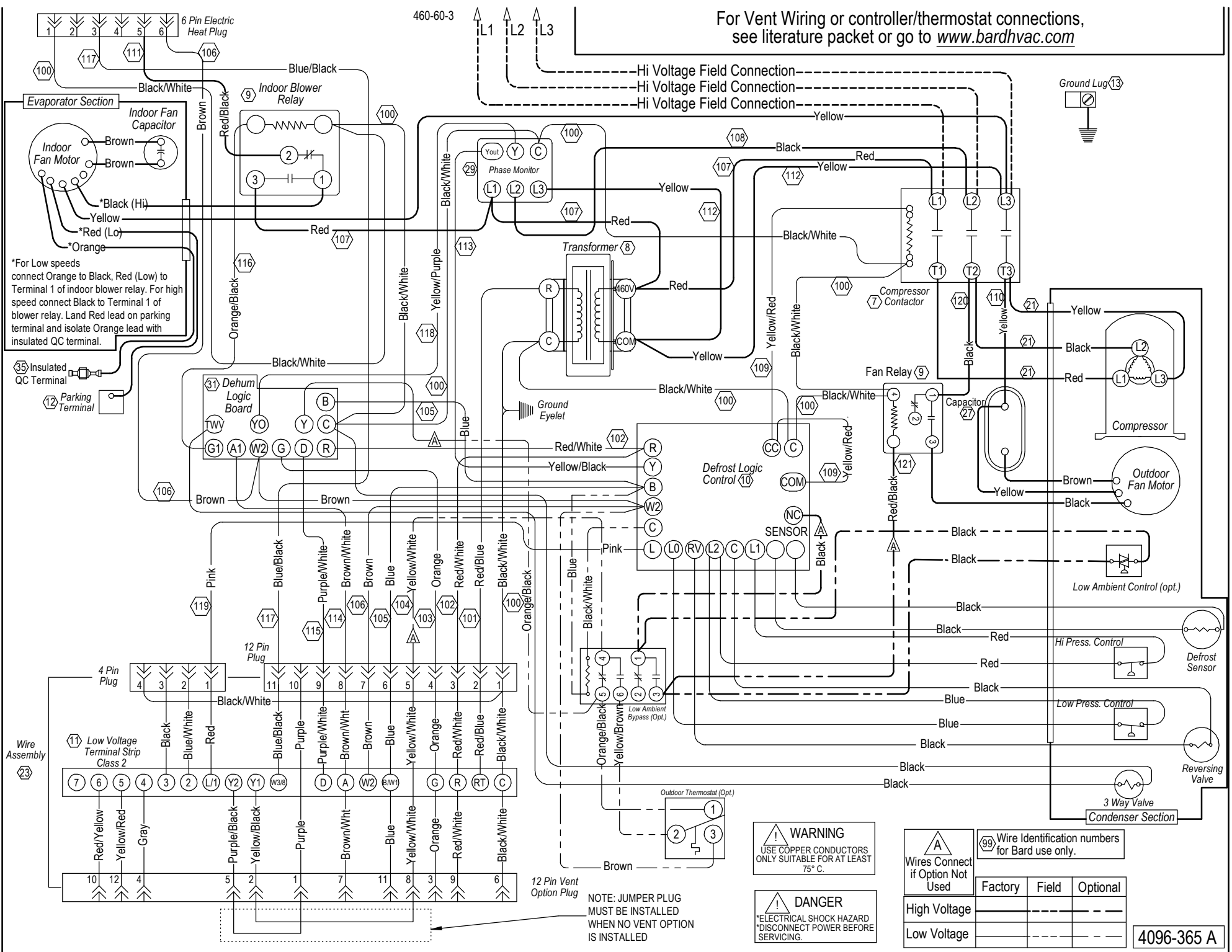


For Vent Wiring or controller/thermostat connections, see literature packet or go to www.bardhvac.com



*For Low speeds connect Orange to Black, Red (Low) to Terminal 1 of indoor blower relay. For high speed connect Black to Terminal 1 of blower relay. Land Red lead on parking terminal and isolate Orange lead with insulated QC terminal.

NOTE: JUMPER PLUG MUST BE INSTALLED WHEN NO VENT OPTION IS INSTALLED

WARNING
USE COPPER CONDUCTORS ONLY SUITABLE FOR AT LEAST 75° C.

DANGER
ELECTRICAL SHOCK HAZARD DISCONNECT POWER BEFORE SERVICING.

A
Wires Connect if Option Not Used

High Voltage			
Low Voltage			

99 Wire Identification numbers for Bard use only.

	Factory	Field	Optional
High Voltage			
Low Voltage			

4096-365 A